

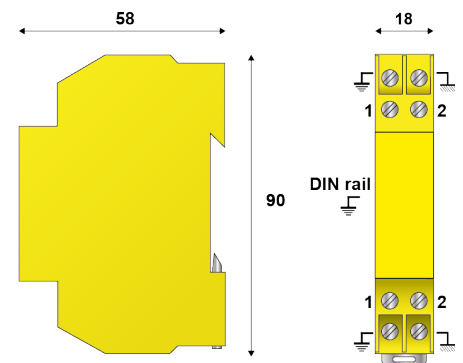
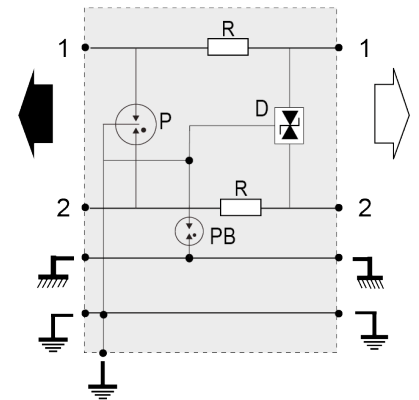


## DLU-170



- For DIN rail mounting
- Monobloc housing
- 1-pair
- $U_c$  : 170 V
- Transmission and protection of shield wire
- IEC 61643-21 compliance
- UL497A

Electrical Characteristics		
Network		RTC, ADSL, SDSL, SHDSL
Nominal line voltage	$U_n$	150 V
Max. DC operating voltage	$U_c$	170 V
Max. load current	$I_L$	300 mA
Max. frequency	$f$	> 10 MHz
Insertion loss		< 1 dB
Max. discharge current <i>max. withstand @ 8/20 <math>\mu</math>s by pole</i>	$I_{max}$	20 kA
Protection mode(s)		Common/Differential mode
Protection level <i>@ <math>I_n</math> (8/20 <math>\mu</math>s)</i>	$U_p$	220V
Protection level L/N <i>@ <math>I_n</math> (8/20 <math>\mu</math>s)</i>	$U_p$ L/N	220 V
Protection level L/PE <i>@ <math>I_n</math> (8/20 <math>\mu</math>s)</i>	$U_p$ L/PE	220 V
Max. shunt capacitance	$C$	< 50 pF
Impulse current <i>2 x 10/350 <math>\mu</math>s Test - D1 Category</i>	$I_{imp}$	5 kA
Nominal discharge current <i>8/20 <math>\mu</math>s Test x 10 - C2 Category</i>	$I_n$	5 kA
line resistance		< 4.7 Ohm



Mechanical Characteristics		
Technology		GDT+Clamping diode
SPD configuration		1-pair + shielded
Connection to Network		screw terminal - cross section 0.4-1.5 mm <sup>2</sup>
Format		DIN box
Mounting		Symmetrical rail 35 mm (EN60715)
Housing material		Thermoplastic UL94-V0
Operating temperature		-40/+85°C
Protection rating		IP20
Failsafe behavior		Short-circuit - transmission cut-off - fault mode 2
Disconnection indicator		Transmission interrupt
Dimensions		See diagram



<b>Standards</b>		
Standards compliance		IEC 61643-21 / EN 61643-21 / UL497 A
Certification		UL listed
<b>Part Number</b>		640505