



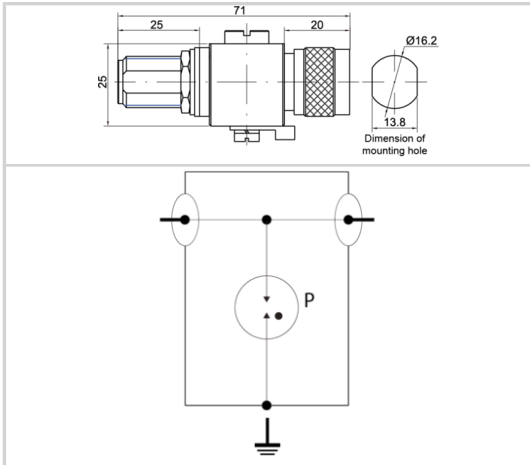
# CITEL

## Coaxial surge protector DC-7 GHz

### P8AX25-6G-N/MF



- RF coaxial surge protector
- DC-7 GHz
- 190 W
- Connectors : N
- Low insertion loss
- Removable GDT
- DC-pass
- Bi-directional protection



Electrical Characteristics			
Max. DC operating voltage	Uc		200 Vdc
Frequency range	f		DC-7 GHz
Insertion loss			< 0.2 dB
Return loss			> 19 dB
Impedance			50 ohms
VSWR			<1.25:1
Max. load current @25°C	IL		10 A
Max. discharge current max. withstand @ 8/20 µs by pole	I <sub>max</sub>		15 kA
Protection mode(s)			Common mode
Protection level @ I <sub>n</sub> (8/20µs)	U <sub>p</sub>		< 2300 V
Impulse current 2 x 10/350µs Test - D1 Category	I <sub>imp</sub>		1 kA
Nominal discharge current C2 Category	I <sub>n</sub>		5 kA
Max Power			190 W
Typical let through energy (50 ohms) input 4kV 1.2/50µs - 2kA 8/20µs			2.2 mJ
DC Pass			Yes
Insulation resistance	IR		≥10 GOhms
Mechanical Characteristics			
Technology			Gas discharge tube
Connection to Network			Connector N Male/Female
Mounting			Feedthrough
Housing material			Brass/Surface plating: Cu Zn Sn
Operating temperature	T <sub>u</sub>		-40/+85°C
Protection rating			IP65
Failsafe mode			Short-circuit
Disconnection indicator			Transmission interrupt
Spare module(s)			1 x BA HF
Dimensions			See diagram
Contacts			Bronze/Surface Au-Ag
Weight			0.175 kg
Standards			
Standards compliance			IEC 61643-21 / EN 61643-21 / UL497E
RohS compliance			Yes
Part number			
<b>68004</b>			

