



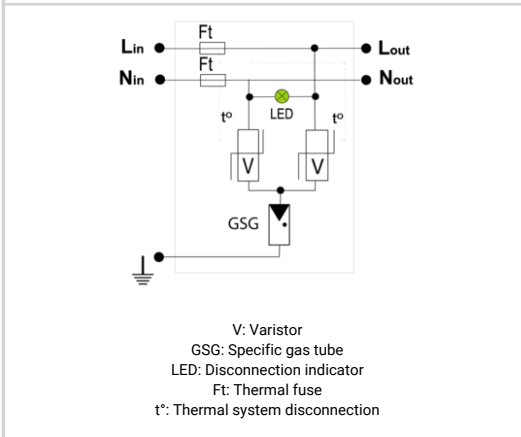
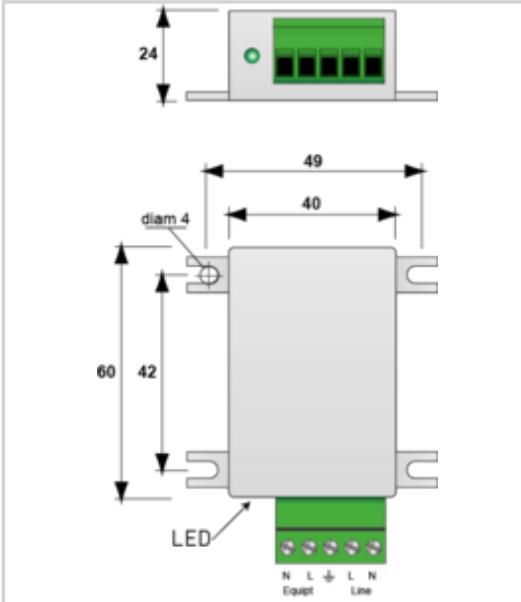
# Compact Type 2+3 hard wired surge protector

# CITEL

## MSB10V-400



- ↳ Compact type 2 + 3 surge protector
- ↳ Wall mounting and hard wired connection
- ↳ Status indicators
- ↳ IP66
- ↳ EN 61643-11 and IEC 61643-11, UL1449 ed.5 compliance



### Electrical Characteristics

SPD type		2+3
Network		230 V single-phase
AC system		TT-TN
Nominal line voltage	Un	230 V
Max. AC operating voltage	Uc	255 Vac
Max. load current @25°C	IL	16 A
Temporary Over Voltage (TOV) Characteristics - 5 sec. Without disconnection	UT	335 Vac withstand
Temporary Over Voltage (TOV) Characteristics - 120 mn Without disconnection or with safety disconnection	UT	440 Vac disconnection
Follow current	If	None
Nominal discharge current 15 x 8/20 μs impulses	In	3 kA
Max. discharge current max. withstand @ 8/20 μs by pole	Imax	10 kA
Withstand on Combination waveform IEC 61643-11 Class III test: 1.2/50μs - 8/20μs	Uoc	6 kV
Withstand on overvoltages IEEE C62.41.1		10 kV / 10 kA
Protection mode(s)		Common/Differential mode
Protection level L/N @ In (8/20μs)	Up L/N	1.5 kV
Protection level L/PE @ In (8/20μs)	Up L/PE	1.5 kV
Admissible short-circuit current	Iscsr	10 000 A

### Mechanical Characteristics

Technology		MOV+GDT
Connection to Network		By screw terminal
Mounting		Wall or plate
Housing material		Thermoplastic UL94 V-0
Operating temperature	Tu	-40/+85°C
Protection rating		IP20
Failsafe mode		Disconnection and AC line cut-off
Disconnection indicator		Green LED OFF
Voltage/operating indicator		Green Led ON
Dimensions		See diagram
Weight		0.066 kg

### Disconnectors

Thermal disconnector		Internal
Installation ground fault breaker		Type 'S' or delayed

### Standards

Standards compliance		IEC 61643-11 / EN 61643-11 / UL1449 ed.5
Certification		

### Part number

561101

