



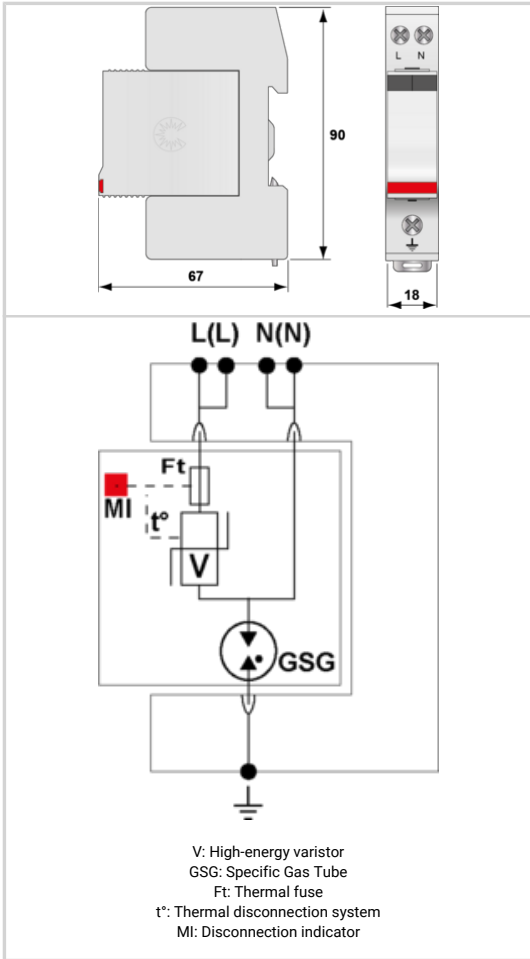
Compact 1-phase Type 2 (or 3) surge protector - 120 V -Pluggable

CITEL

DS240-120/G



- Discover our latest innovation : the [DAC40C-11-150](#)
- Compact single-phase Type 2 surge protector
- In : 20 kA
- Imax : 40 kA
- Common/Differential mode
- Pluggable module
- Remote signaling option
- EN 61643-11, IEC 61643-11 compliance
- UL1449 ed.5



Electrical Characteristics	
SPD type	2
Network	120 V single-phase
AC system	TT-TN
Nominal line voltage	Un 120 Vac
Max. AC operating voltage	Uc 150 Vac
Max. load current if series connection	IL 20 A
Temporary Over Voltage (TOV) Characteristics - 5 sec. Without disconnection	UT 180 Vac withstand
Temporary Over Voltage (TOV) Characteristics - 120 mn Without disconnection or with safety disconnection	UT 230 Vac disconnection
Temporary Over Voltage N/PE (TOV HT) Without disconnection or with safety disconnection	UT 1200 V/300A/200 ms withstand
Residual Current Leakage current to Ground	Ipe None
Follow current	If None
Nominal discharge current 15 x 8/20 μs impulses	In 20 kA
Max. discharge current max. withstand @ 8/20 μs by pole	Imax 40 kA
Total Maximum discharge current max. total withstand @ 8/20 μs	Imax Total 40 kA
Connection mode(s)	L/N and N/PE
Protection mode(s)	Common/Differential mode
Protection level @ In (8/20μs)	Up 0.9 kV
Residual voltage at 5 kA @ 5 kA (8/20μs)	Up-5kA 1.5/0.6 kV
Protection level L/N @ In (8/20μs)	Up L/N 0.9 kV
Protection level N/PE @ In (8/20μs)	Up N/PE 1.5 kV
Protection level CM/DM @ In (8/20μs)	Up mc /md 1.5/0.9 kV
Admissible short-circuit current	Iscsr 10 000 A
Mechanical Characteristics	
Technology	MOV
SPD configuration	Single phase
Connection to Network	By screw terminals: 1.5-10mm ² (L/N) or 2.5-25mm ² (PE)
Format	Plug-in modular box
Mounting	Symmetrical rail 35 mm (EN 60715)
Housing material	Thermoplastic UL94 V-0
Operating temperature	Tu -40/+85°C
Protection rating	IP20
Failsafe mode	Disconnection from AC network
Disconnection indicator	1 mechanical indicator
Spare module(s)	DSM240-120/G
Remote signaling of disconnection	Option DS240S-120/G : output on changeover contact
Dimensions	See diagram
Disconnectors	
Thermal disconnecter	Internal
Installation ground fault breaker	Type 'S' or delayed
Back-up protection device	50 A min. - 125 A max. - Fuses Type gG
Standards	
Standards compliance	IEC 61643-11 / EN 61643-11 / UL1449 ed.5
Certification	CSA / UL
Part number	
311621	





Compact 1-phase Type 2 (or 3) surge protector - 120 V -Pluggable

DS240-120/G

