



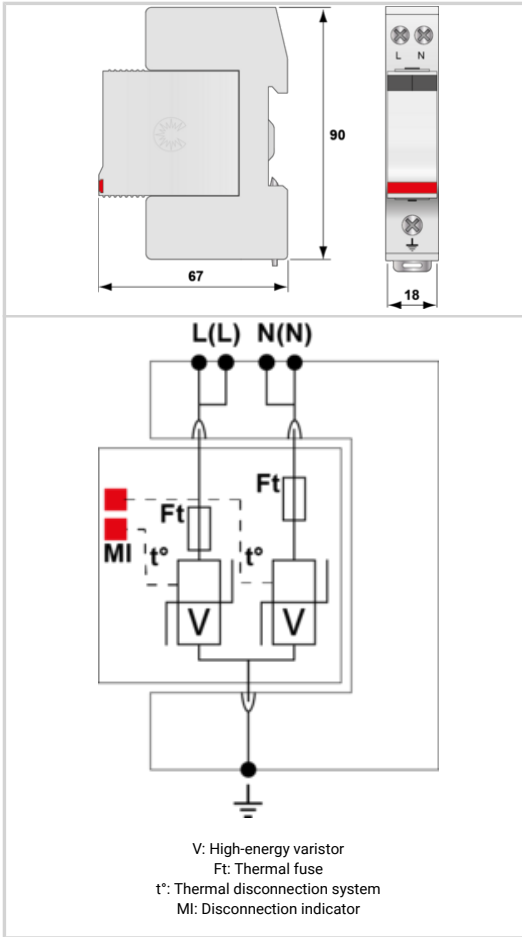
# CITEL

## Compact 1-phase Type 2 (or 3) surge protector - 230 V - Pluggable

### DS240-400



- ↳ Discover our latest innovation : the [DAC40C-20-440](#)
- ↳ Compact single-phase Type 2 surge protector
- ↳ In : 20 kA
- ↳ I<sub>max</sub> : 40 kA
- ↳ Common mode
- ↳ Pluggable module
- ↳ Remote signaling option
- ↳ EN 61643-11, IEC 61643-11 compliance
- ↳ UL1449 ed.5



Electrical Characteristics	
SPD type	2
Network	230 V single-phase
AC system	IT
Nominal line voltage	U <sub>n</sub> 400 Vac
Max. AC operating voltage	U <sub>c</sub> 440 Vac
Max. load current <i>if series connection</i>	I <sub>L</sub> 20 A
Temporary Over Voltage (TOV) Characteristics - 5 sec. <i>Without disconnection</i>	UT 580 Vac withstand
Temporary Over Voltage (TOV) Characteristics - 120 mn <i>Without disconnection or with safety disconnection</i>	UT 770 Vac disconnection
Residual Current <i>Leakage current to Ground</i>	I <sub>pe</sub> < 0.5 mA
Follow current	I <sub>f</sub> None
Nominal discharge current <i>15 x 8/20 μs impulses</i>	I <sub>n</sub> 20 kA
Max. discharge current <i>max. withstand @ 8/20 μs by pole</i>	I <sub>max</sub> 40 kA
Total Maximum discharge current <i>max. total withstand @ 8/20 μs</i>	I <sub>max</sub> Total 80 kA
Protection mode(s)	Common mode
Residual voltage at 5 kA <i>@ 5 kA (8/20μs)</i>	U <sub>p-5kA</sub> 1.3 kV
Protection level CM/DM <i>@ I<sub>n</sub> (8/20μs)</i>	U <sub>p mc /md</sub> 1.8 kV
Admissible short-circuit current	I <sub>sc cr</sub> 10 000 A
Mechanical Characteristics	
Technology	MOV
SPD configuration	Single phase
Connection to Network	By screw terminals: 1.5-10mm <sup>2</sup> (L/N) or 2.5-25mm <sup>2</sup> (PE)
Format	Plug-in modular box
Mounting	Symmetrical rail 35 mm (EN 60715)
Housing material	Thermoplastic UL94 V-0
Operating temperature	T <sub>u</sub> -40/+85°C
Protection rating	IP20
Failsafe mode	Disconnection from AC network
Disconnection indicator	2 mechanical indicators
Spare module(s)	DSM240-400
Remote signaling of disconnection	Option DS240S-400 : output on changeover contact
Dimensions	See diagram
Weight	0.143 kg
Disconnectors	
Thermal disconnector	Internal
Installation ground fault breaker	Type 'S' or delayed
Back-up protection device	50 A min. - 125 A max. - Fuses Type gG
Standards	
Standards compliance	IEC 61643-11 / EN 61643-11 / UL1449 ed.5
Certification	CSA / UL
Part number	
311401	

