



CITEL

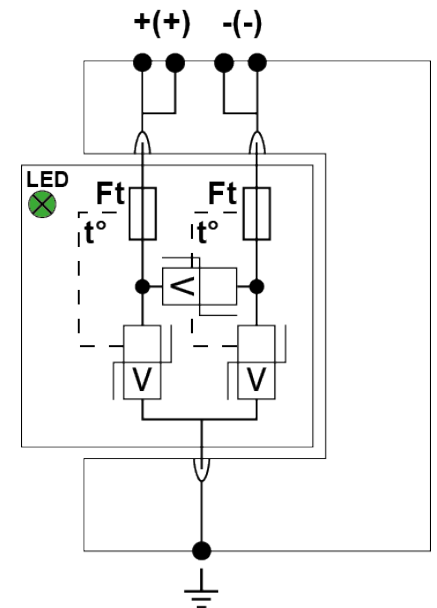
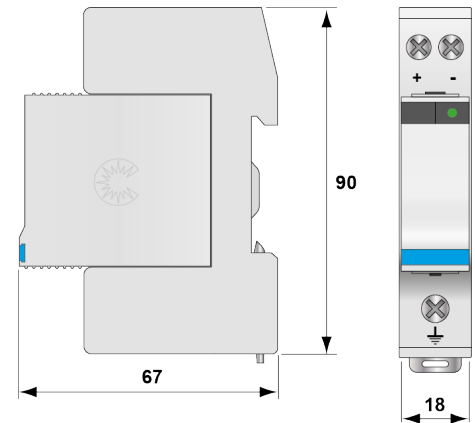


DS210-75DC



- Surge protector for DC supplies
- 75 Vdc
- I_{max}: 6 kA
- Pluggable module
- Operating indicator
- IEC 61643-11, EN 61643-11 and UL1449 ed.4

| Electrical Characteristics | | |
|--|------------------------------|--|
| SPD type <i>following IEC test</i> | | 2 (ou 3) |
| Network | | DC network 75Vdc |
| Nominal DC voltage | <i>Un-dc</i> | 75 Vdc |
| Max. AC operating voltage L-N | <i>Uc</i> | 60 Vac |
| Max. DC operating voltage | <i>Uc</i> | 85 Vdc |
| Max. load current | <i>IL</i> | 20 A |
| Residual Current <i>Leakage current to Ground</i> | <i>Ipe</i> | < 0.1 mA |
| Operating current <i>Continuous current at Uc</i> | <i>Ic</i> | < 0.1 mA |
| PV Permanent Operating current <i>Current consumption at Ucpv</i> | <i>Icpv</i> | < 0.1 mA |
| Follow current | <i>If</i> | None |
| Nominal discharge current <i>15 x 8/20 μs impulses</i> | <i>In</i> | 2 kA |
| Max. discharge current <i>max. withstand @ 8/20 μs by pole</i> | <i>I_{max}</i> | 6 kA |
| Total Maximal discharge current <i>max. total withstand @ 8/20 μs</i> | <i>I_{max} Total</i> | 6 kA |
| Current withstand short circuit PV | <i>Iscpv</i> | 1000 A |
| Connection mode(s) | | +/-/PE |
| Protection mode(s) | | Common/Differential mode |
| Protection level <i>@ In (8/20μs)</i> | <i>Up</i> | 250 V |
| Internal short circuit protection | | No |
| Internal Thermal protection | | YES |
| Mechanical Characteristics | | |
| Technology | | MOV |
| SPD configuration | | 2 poles |
| Connection to Network | | By screw terminals: 1.5-10mm ² (actives wires) and 2.5-25mm ² (ground) |
| Format | | Plug-in modular box |
| Mounting | | Symmetrical rail 35 mm (EN60715) |
| Housing material | | Thermoplastic UL94-V0 |
| Operating temperature | | -40/+85°C |
| Protection rating | | IP20 |
| Failsafe behavior | | disconnection from DC line |
| Disconnection indicator | | Green led off |
| Spare module(s) | | DSM210-75DC |
| Dimensions | | See diagram |



V: Varistor
 Ft: Thermal fuse
 t°: Thermal disconnection system
 LED: Disconnection indicator



CITEL

| Disconnectors | | |
|----------------------|--|--|
| Thermal disconnecter | | internal |
| Fuses | | Fuses type gG- 10 A |
| Standards | | |
| Standards compliance | | IEC 61643-11 / EN 61643-11 / UL1449 4ed. |
| Part Number | | 440601 |