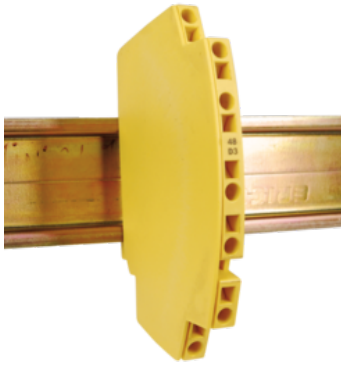




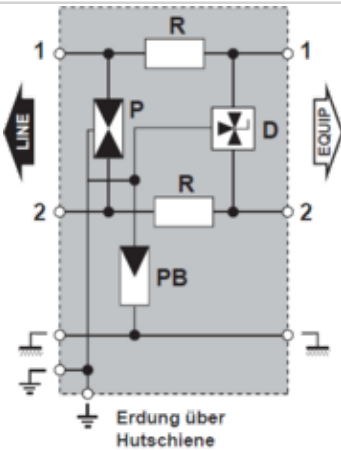
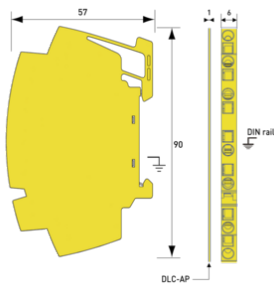
CITEL

1-pair monobloc Telecom surge protector

DLC-48D3



- High speed data transmission
- Common mode and differential mode protection
- Data lines, including those isolated from Earth
- Compact DIN rail enclosure, high density protection
- Protection of shield wire
- Location and test categories: D1, C2, C3
- IEC 61643-21 compliance



P : 3-poliger Gasableiter
 Pb : 2-poliger Gasableiter
 R : Widerstand oder Spule
 D : Diode

G: 3-electrode gas tube
 Gb: 2-electrode gas tube
 R: Resistor
 D: Clamping diode

Electrical Characteristics

Network		RNIS-T0, 48 V line
Nominal line voltage	Un	48 V
Max. DC operating voltage	Uc	53 Vdc
Max. frequency	f max.	> 3 MHz
Insertion loss		< 1 dB
Max. load current @25°C	IL	300 mA
Max. discharge current max. withstand @ 8/20 μs by pole	Imax	10 kA
Line inductance		No
Protection level @ In (8/20 μs)	Up L/L	70 V
Impulse current 2 x 10/350 μs Test - D1 Category	limp	2.5 kA
Line/Line Nominal discharge current C2 Category	In L/L	5 kA
Nominal Discharge Current, X-C (Line/Earth) 8/20 μs Test x 10 - C2 Category	In L/PE	5 kA
Line resistance		< 4.7 Ohm

Mechanical Characteristics

Technology		GDT+Clamping diode
SPD configuration		1-pair+shielded
Connection to Network		By spring terminal - max. cross section 2.5mm ² / AWG 13 (solid or stranded)
Format		DIN box
Mounting		Symmetrical rail 35 mm (EN 60715)
Housing material		Thermoplastic UL94 V-0
Operating temperature	Tu	-40/+85°C
Ingress Protection rating		IP20 (NEMA 2)
Failsafe mode		Short-circuit
Disconnection indicator		Transmission interrupt - default mode 2
Dimensions		See diagram
Weight		0.029 kg

Standards

Standards compliance		IEC 61643-21 / EN 61643-21 / UL497B
Certification		UL 497B

Part number

641104

