



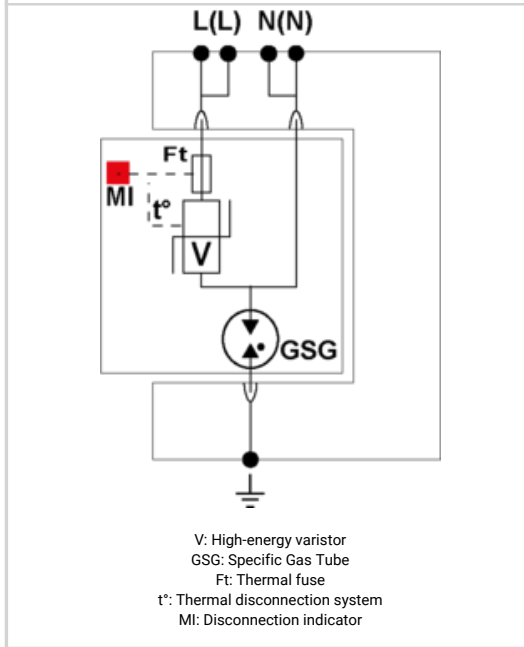
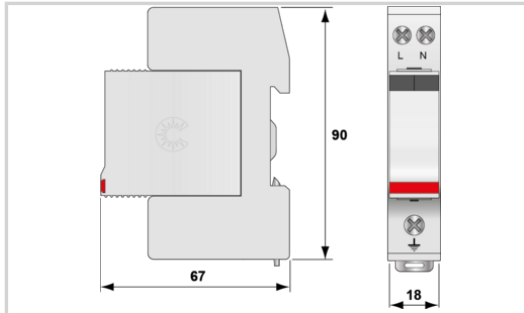
Compact 1-phase Type 2 (or 3) surge protector - 230 V - Pluggable

CITEL

DS240-400/G



- Compact single-phase Type 2 surge protector
- In : 20 kA
- Imax : 40 kA
- Common/Differential mode
- Pluggable module
- Remote signaling option
- EN 61643-11, IEC 61643-11 compliance
- UL1449 ed.5



| Electrical Characteristics | |
|---|---|
| SPD type | 2 |
| Network | 230 V single-phase |
| AC system | TT-TN |
| Nominal line voltage | Un 400 Vac |
| Max. AC operating voltage | Uc 440 Vac |
| Max. load current if series connection | IL 20 A |
| Temporary Over Voltage (TOV) Characteristics - 5 sec. Without disconnection | UT 335 Vac withstand |
| Temporary Over Voltage (TOV) Characteristics - 120 mn Without disconnection or with safety disconnection | UT 440 Vac withstand |
| Temporary Over Voltage N/PE (TOV HT) Without disconnection or with safety disconnection | UT 1200 V/300A/200 ms withstand |
| Residual Current Leakage current to Ground | Ipe None |
| Follow current | If None |
| Nominal discharge current 15 x 8/20 μs impulses | In 20 kA |
| Max. discharge current max. withstand @ 8/20 μs by pole | Imax 40 kA |
| Total Maximum discharge current max. total withstand @ 8/20 μs | Imax Total 40 kA |
| Connection mode(s) | L/N and N/PE |
| Protection mode(s) | Common/Differential mode |
| Residual voltage at 5 kA @ 5 kA (8/20μs) | Up-5kA 1.5/1.3 kV |
| Protection level L/N @ In (8/20μs) | Up L/N 1.8 kV |
| Protection level N/PE @ In (8/20μs) | Up N/PE 1.5 kV |
| Admissible short-circuit current | Iscsr 10 000 A |
| Mechanical Characteristics | |
| Technology | MOV |
| SPD configuration | Single phase |
| Connection to Network | By screw terminals: 1.5-10mm ² (L/N) or 2.5-25mm ² (PE) |
| Format | Plug-in modular box |
| Mounting | Symmetrical rail 35 mm (EN 60715) |
| Housing material | Thermoplastic UL94 V-0 |
| Operating temperature | Tu -40/+85°C |
| Protection rating | IP20 |
| Failsafe mode | Disconnection from AC network |
| Disconnection indicator | 1 mechanical indicator |
| Spare module(s) | DSM240-400/G |
| Remote signaling of disconnection | Option DS240S-400/G : output on changeover contact |
| Dimensions | See diagram |
| Disconnectors | |
| Thermal disconnector | Internal |
| Installation ground fault breaker | Type 'S' or delayed |
| Back-up protection device | 50 A min. - 125 A max. - Fuses Type gG |
| Standards | |
| Standards compliance | IEC 61643-11 / EN 61643-11 / UL1449 ed.5 |
| Certification | CSA / UL |
| Part number | |
| 311421 | |

