



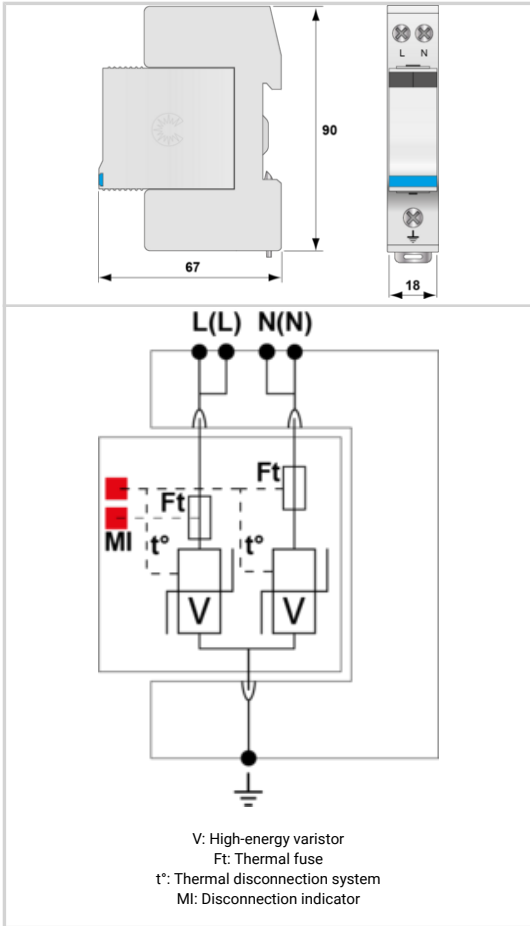
CITEL

Compact 1-phase Type 2 (or 3) surge protector - 230 V - Pluggable

DS215-400



- ↳ Discover our latest innovation : the [DAC15C-20-440](#)
- ↳ Compact single-phase type 2 (or 3) surge protector
- ↳ In : 5 kA
- ↳ Imax : 15 kA
- ↳ Common mode
- ↳ Pluggable module
- ↳ Remote signaling option
- ↳ EN 61643-11, IEC 61643-11 compliance
- ↳ UL1449 ed.5



Electrical Characteristics	
SPD type	2 (or 3)
Network	230 V single-phase
AC system	IT
Nominal line voltage	Un 400 Vac
Max. AC operating voltage	Uc 440 Vac
Max. load current <i>if series connection</i>	IL 20 A
Temporary Over Voltage (TOV) Characteristics - 5 sec. <i>Without disconnection</i>	UT 580 Vac withstand
Temporary Over Voltage (TOV) Characteristics - 120 mn <i>Without disconnection or with safety disconnection</i>	UT 770 Vac disconnection
Residual Current <i>Leakage current to Ground</i>	Ipe < 0.5 mA
Follow current	If None
Nominal discharge current <i>15 x 8/20 μs impulses</i>	In 5 kA
Max. discharge current <i>max. withstand @ 8/20 μs by pole</i>	Imax 15 kA
Withstand on Combination waveform IEC 61643-11 <i>Class III test: 1.2/50μs - 8/20μs</i>	Uoc 10 kV
Connection mode(s)	L/PE and N/PE
Protection mode(s)	Common mode
Protection level <i>@ In (8/20μs)</i>	Up 1.3 kV
Residual voltage at 5 kA <i>@ 5 kA (8/20μs)</i>	Up-5kA 1.3 kV
Admissible short-circuit current	Iscrc 10 000 A
Mechanical Characteristics	
Technology	MOV
SPD configuration	Single phase
Connection to Network	By screw terminals: 1.5-10mm ² (L/N) or 2.5-25mm ² (PE)
Format	Plug-in modular box
Mounting	Symmetrical rail 35 mm (EN 60715)
Housing material	Thermoplastic UL94 V-0
Operating temperature	Tu -40/+85°C
Protection rating	IP20
Failsafe mode	Disconnection from AC network
Disconnection indicator	2 mechanical indicators
Spare module(s)	DSM215-400
Remote signaling of disconnection	Option DS215S-400 : output on changeover contact
Dimensions	See diagram
Disconnectors	
Thermal disconnector	Internal
Installation ground fault breaker	Type 'S' or delayed
Back-up protection device	20 A min. - 125 A max. - Fuses type gG
Standards	
Standards compliance	IEC 61643-11 / EN 61643-11 / UL1449 ed.5
Certification	UL / CSA
Part number	
451401	

