



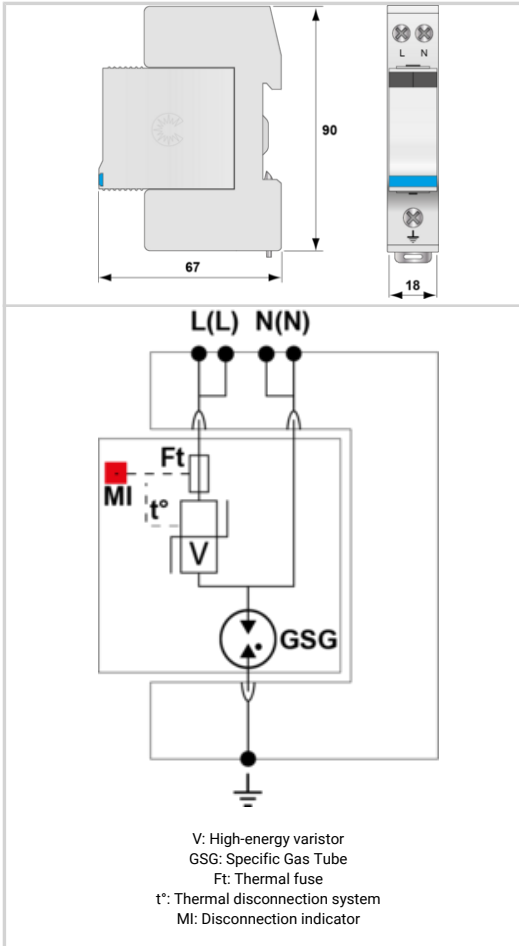
CITEL

Compact 1-phase Type 2 (or 3) surge protector - 230 V - Pluggable

DS215-230/G



- ↳ Discover our latest innovation : the [DAC15C-11-275](#)
- ↳ Compact single-phase type 2 (or 3) surge protector
- ↳ In : 5 kA
- ↳ I_{max} : 15 kA
- ↳ Common/Differential mode
- ↳ Pluggable module
- ↳ Remote signaling option
- ↳ EN 61643-11, IEC 61643-11 compliance
- ↳ UL1449 ed.5



Electrical Characteristics	
SPD type	2 (or 3)
Network	230 V single-phase
AC system	TT-TN
Nominal line voltage	Un 230 Vac
Max. AC operating voltage	Uc 255 Vac
Max. load current if series connection	IL 20 A
Temporary Over Voltage (TOV) Characteristics - 5 sec. Without disconnection	UT 335 Vac withstand
Temporary Over Voltage (TOV) Characteristics - 120 mn Without disconnection or with safety disconnection	UT 440 Vac disconnection
Temporary Over Voltage N/PE (TOV HT) Without disconnection or with safety disconnection	UT 1200 V/300A/200 ms withstand
Residual Current Leakage current to Ground	I _{pe} None
Follow current	I _f None
Nominal discharge current 15 x 8/20 μs impulses	I _n 5 kA
Max. discharge current max. withstand @ 8/20 μs by pole	I _{max} 15 kA
Withstand on Combination waveform IEC 61643-11 Class III test: 1.2/50μs - 8/20μs	U _{oc} 10 kV
Connection mode(s)	L/N and N/PE
Protection mode(s)	Common/Differential mode
Residual voltage at 5 kA @ 5 kA (8/20μs)	U _{p-5kA} 1.5/0.9 kV
Protection level L/N @ I _n (8/20μs)	U _{p L/N} 0.9 kV
Protection level N/PE @ I _n (8/20μs)	U _{p N/PE} 1.5 kV
Admissible short-circuit current	I _{sc cr} 10 000 A
Mechanical Characteristics	
Technology	MOV+GDT
SPD configuration	Single phase
Connection to Network	By screw terminals: 1.5-10mm ² (L/N) or 2.5-25mm ² (PE)
Format	Plug-in modular box
Mounting	Symmetrical rail 35 mm (EN 60715)
Housing material	Thermoplastic UL94 V-0
Operating temperature	T _u -40/+85°C
Protection rating	IP20
Failsafe mode	Disconnection from AC network
Disconnection indicator	1 mechanical indicator
Spare module(s)	DSM215-230/G
Remote signaling of disconnection	Option DS215S-230/G : output on changeover contact
Dimensions	See diagram
Weight	0.180 kg
Disconnectors	
Thermal disconnector	Internal
Installation ground fault breaker	Type 'S' or delayed
Back-up protection device	20 A min. - 125 A max. - Fuses type gG
Standards	
Standards compliance	IEC 61643-11 / EN 61643-11 / UL1449 ed.5
Certification	UL / CSA
Part number	
451721	

