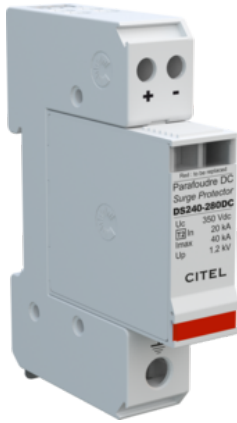




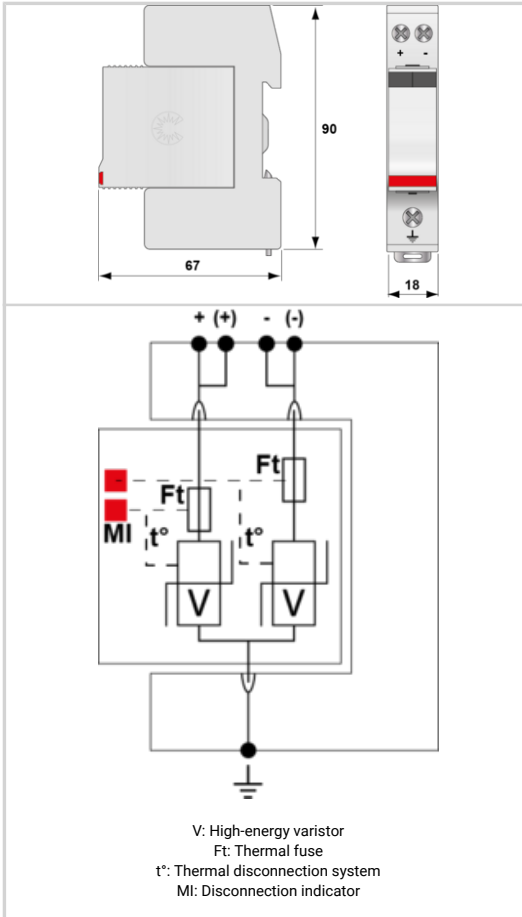
DC power surge protector - 280 Vdc

CITEL

DS240-280DC



- Discover our latest innovation : the [DDC40C-20-350](#)
- DC or PV power surge protector
- 280 Vdc
- Compact design
- I_{max}: 40 kA
- Pluggable module
- Remote signaling (option)
- Very low U_p protection level



Electrical Characteristics		
SPD type		2
Network		DC or PV network 280Vdc
Nominal DC voltage	Un-dc	280 Vdc
Nominal PV voltage	Uocstc	280 Vdc
Max. AC operating voltage	Uc	275 Vac
Max. PV operating voltage	Ucpv	350 Vdc
Max. DC operating voltage	Uc	350 Vdc
Max. load current @25°C	IL	50 A
Residual Current Leakage current to Ground	Ipe	< 0.1 mA
PV Permanent Operating current Current consumption at Ucpv	Icpv	< 0.1 mA
Follow current	If	None
Nominal discharge current 15 x 8/20 μs impulses	In	20 kA
Max. discharge current max. withstand @ 8/20 μs by pole	I _{max}	40 kA
Total Maximum discharge current max. total withstand @ 8/20 μs	I _{max} Total	80 kA
Current withstand short circuit PV	Iscpv	1000 A
Connection mode(s)		+/-/PE
Protection mode(s)		Common mode
Protection level +/-PE (-/PE) @ In (8/20μs)	U _p	1200 V
Mechanical Characteristics		
Technology		MOV
SPD configuration		2-poles
Connection to Network		By screw terminals: 1.5-10mm ² (actives wires) and 2.5-25mm ² (ground)
Format		Plug-in modular box
Mounting		Symmetrical rail 35 mm (EN 60715)
Housing material		Thermoplastic UL94 V-0
Operating temperature	Tu	-40/+85°C
Protection rating		IP20
Failsafe mode		Disconnection from DC network
Disconnection indicator		2 mechanical indicators
Spare module(s)		DSM240-280DC
Remote signaling of disconnection		Option DS240S-280DC : output on changeover contact
Dimensions		See diagram
Weight		0.13 kg
Disconnectors		
Thermal disconnector		Internal
Back-up protection device		Fuses type gG - 20A
Standards		
Standards compliance		IEC 61643-11 / EN 61643-11 / UL1449 ed.5
Certification		UL Recognized
Part number		
310501		

