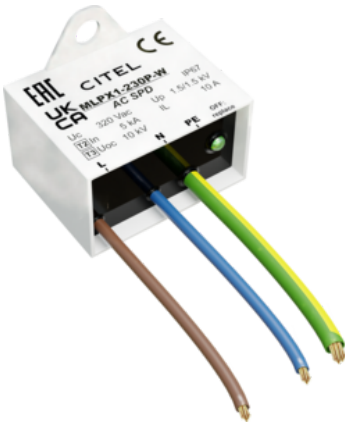




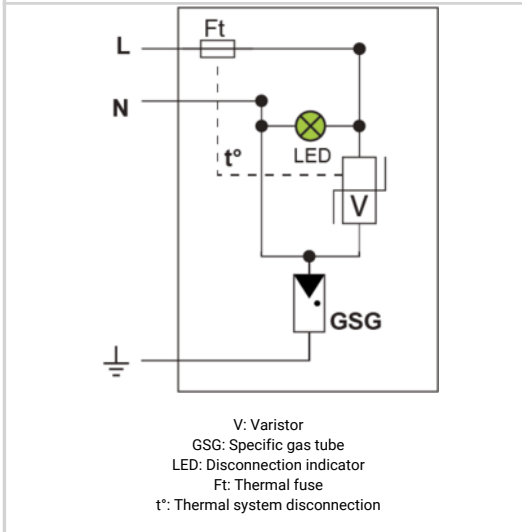
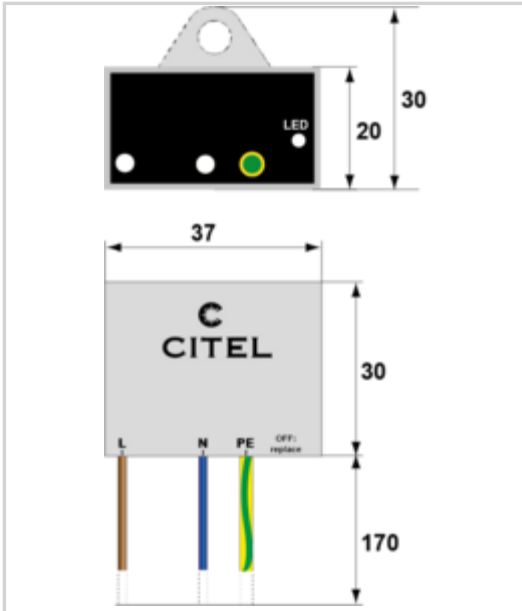
# Ultra Compact Type 2+3 hard wired surge protector

# CITEL

## MLPX1-230P-W



- ▶ Ultra compact Type 2+3 hard wired surge protectors
- ▶ Wall mounting and hard wired connection
- ▶ Bracket breakable
- ▶ Protection rating : IP67
- ▶ Disconnection signaling by indicator
- ▶ EN 61643-11, IEC 61643-11 and UL1449 ed.5 compliance



Electrical Characteristics	
SPD type	2+3
Network	220-240 V Single-phase
AC system	TT-TN
Nominal line voltage	Un 230 V
Max. AC operating voltage	Uc 320 Vac
Max. load current @25°C	IL 10 A
Temporary Over Voltage (TOV) Characteristics - 5 sec. Without disconnection	UT 335 Vac withstand
Temporary Over Voltage (TOV) Characteristics - 120 mn Without disconnection or with safety disconnection	UT 440 Vac disconnection
Temporary Over Voltage N/PE (TOV HT) Without disconnection or with safety disconnection	UT 1200 V/300A/200 ms disconnection
Residual Current Leakage current to Ground	Ipe None
Nominal discharge current 15 x 8/20 μs impulses	In 5 kA
Max. discharge current max. withstand @ 8/20 μs by pole	Imax 10 kA
Total Maximum discharge current max. total withstand @ 8/20 μs	Imax Total 20 kA
Withstand on Combination waveform IEC 61643-11 Class III test: 1.2/50μs - 8/20μs	Uoc 10 kV
Withstand on overvoltages IEEE C62.41.1	10 kV / 10 kA
Protection mode(s)	Common/Differential mode
Protection level L/N @ In (8/20μs)	Up L/N 1.5 kV
Protection level L/PE @ In (8/20μs)	Up L/PE 1.5 kV
Admissible short-circuit current	Iscrc 10 000 A
Mechanical Characteristics	
Technology	MOV+GDT
Connection to Network	By wires: 1.5mm <sup>2</sup> (L/N) and 2.5mm <sup>2</sup> (PE)
Mounting	Wall or plate
Housing material	Thermoplastic UL94 V-0
Operating temperature	Tu -40/+85°C
Protection rating	IP67
Failsafe mode	Disconnection from AC network
Disconnection indicator	LED green OFF
Voltage/operating indicator	Green Led ON
Dimensions	See diagram
Weight	0.109 kg
Disconnectors	
Thermal disconnector	Internal
Installation ground fault breaker	Type 'S' or delayed
Standards	
Standards compliance	IEC 61643-11 / EN 61643-11 / UL1449 ed.5
Certification	
Part number	
<b>7112646</b>	

