



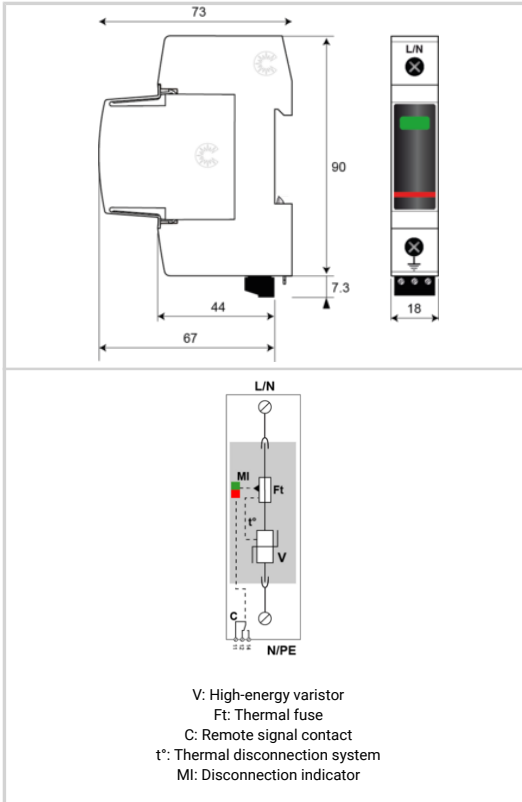
CITEL

Type 2 AC surge protector - Re-inforced - 1-pole - pluggable

DAC80S-10-440



- ↳ Re-inforced Type 2 AC surge protector
- ↳ In: 40 kA
- ↳ I_{max}: 80 kA
- ↳ Pluggable module for each phase
- ↳ Remote signaling
- ↳ EN 61643-11, IEC 61643-11 certified
- ↳ UL1449 ed.5 compliance



Electrical Characteristics		
SPD type		2
Max. AC operating voltage	Uc	440 Vac
Temporary Over Voltage (TOV) Characteristics - 5 sec. Without disconnection	UT	580 Vac withstand
Temporary Over Voltage (TOV) Characteristics - 120 mn Without disconnection or with safety disconnection	UT	770 Vac disconnection
Residual Current	I _{pe}	< 1 mA
Leakage current to Ground		
Follow current	I _f	None
Nominal discharge current 15 x 8/20 μs impulses	I _n	40 kA
Max. discharge current max. withstand @ 8/20 μs by pole	I _{max}	80 kA
Protection level @ I _n (8/20 μs)	U _p	2 kV
Residual voltage at 5 kA @ 5 kA (8/20 μs)	U _{p-5kA}	1.4 kV
Admissible short-circuit current	I _{sc}	50 000 A
Mechanical Characteristics		
Technology		MOV
SPD configuration		Single phase
Connection to Network		By screw terminals: 2.5-25mm ² (35mm ² rigid)
Format		Plug-in modular box
Mounting		Symmetrical rail 35 mm (EN 60715)
Housing material		Thermoplastic UL94 V-0
Operating temperature	T _u	-40/+85°C
Protection rating		IP20
Failsafe mode		Disconnection from AC network
Disconnection indicator		1 mechanical indicator - Red/Green
Spare module(s)		MDAC80-440
Remote signaling of disconnection		Output on changeover contact
Max. Voltage/Current for remote signaling		250 V / 0.5 A (AC) / 30 V / 3 A (DC)
Dimensions		See diagram - 1TE (EN43880)
Weight		0.169 kg
Disconnectors		
Thermal disconnector		Internal
Installation ground fault breaker		Type 'S' or delayed
Back-up protection device		Fuses Type gG - 125 A
Standards		
Standards compliance		IEC 61643-11 / EN 61643-11 / UL1449 ed.5
Certification		KEMA
Part number		
821210421		

