



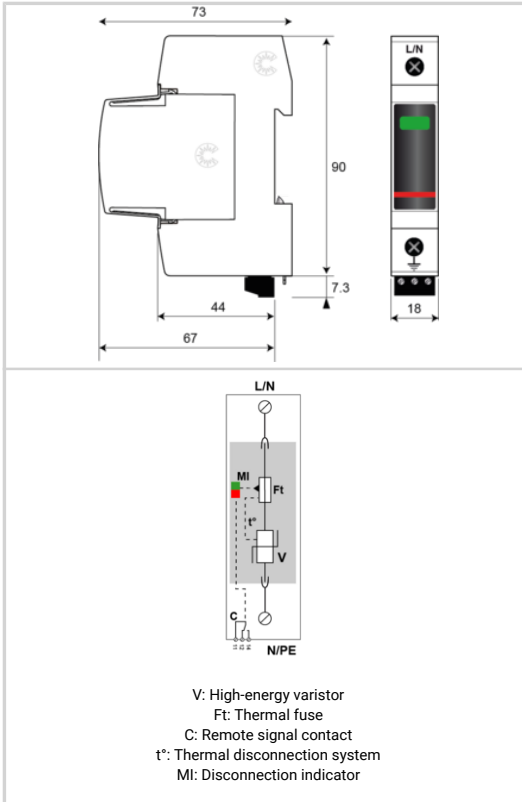
CITEL

Type 2 AC surge protector - Re-inforced - 1-pole - pluggable

DAC80S-10-150



- ↳ Re-inforced Type 2 AC surge protector
- ↳ In: 40 kA
- ↳ I_{max}: 80 kA
- ↳ Pluggable module for each phase
- ↳ Remote signaling
- ↳ EN 61643-11, IEC 61643-11 certified
- ↳ UL1449 ed.5 compliance



Electrical Characteristics	
SPD type	2
Max. AC operating voltage	U _c 150 Vac
Temporary Over Voltage (TOV) Characteristics - 5 sec. Without disconnection	UT 180 Vac withstand
Temporary Over Voltage (TOV) Characteristics - 120 mn Without disconnection or with safety disconnection	UT 230 Vac disconnection
Residual Current Leakage current to Ground	I _{pe} < 1 mA
Follow current	I _f None
Nominal discharge current 15 x 8/20 μs impulses	I _n 40 kA
Max. discharge current max. withstand @ 8/20 μs by pole	I _{max} 80 kA
Protection level @ I _n (8/20 μs)	U _p 1.2 kV
Residual voltage at 5 kA @ 5 kA (8/20 μs)	U _{p-5kA} 0.7 kV
Admissible short-circuit current	I _{sc} 50 000 A
Mechanical Characteristics	
Technology	MOV
SPD configuration	Single phase
Connection to Network	By screw terminals: 2.5-25mm ² (35mm ² rigid)
Format	Plug-in modular box
Mounting	Symmetrical rail 35 mm (EN 60715)
Housing material	Thermoplastic UL94 V-0
Operating temperature	T _u -40/+85°C
Protection rating	IP20
Failsafe mode	Disconnection from AC network
Disconnection indicator	1 mechanical indicator - Red/Green
Spare module(s)	MDAC80-150
Remote signaling of disconnection	Output on changeover contact
Max. Voltage/Current for remote signaling	250 V / 0.5 A (AC) / 30 V / 3 A (DC)
Dimensions	See diagram - 1TE (EN43880)
Weight	0.121 kg
Disconnectors	
Thermal disconnector	Internal
Installation ground fault breaker	Type 'S' or delayed
Back-up protection device	Fuses Type gG - 125 A
Standards	
Standards compliance	IEC 61643-11 / EN 61643-11 / UL1449 ed.5
Certification	KEMA
Part number	
821210121	

