



CITEL

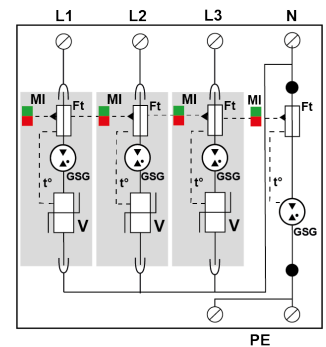
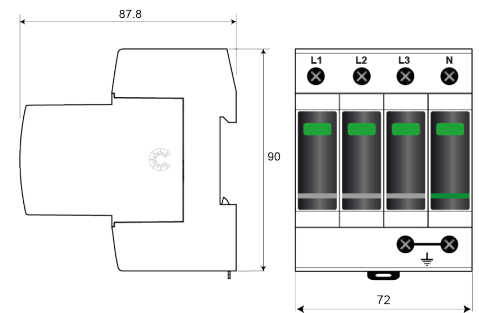


DAC1-13VG-31-320

- Type 1 + 2 + 3 AC surge protector
- VG Technology
- In : 20 kA
- Iimp : 12,5 kA on 10/350µs impulse
- No leakage current
- Pluggable module for each phase
- Remote signaling (option)
- Optimized to TOV
- EN 61643-11, IEC 61643-11 and UL1449 ed.3 compliance



Electrical Characteristics		
SPD type		1+2+3
Network		230/400 V 3-phase+N
AC system		TT-TNS
Max. AC operating voltage L-N	U_c	320 Vac
Temporary Over Voltage (TOV) Characteristics - 5 sec. <i>Without disconnection</i>	U_T	335 Vac withstand
Temporary Over Voltage (TOV) Characteristics - 120 mn <i>Without disconnection or with safety disconnection</i>	U_T	440 Vac withstand
Temporary Over Voltage N/PE (TOV HT) <i>Without disconnection or with safety disconnection</i>	U_T	1200 V/300A/200 ms withstand
Residual Current <i>Leakage current to Ground</i>	I_{pe}	None
Follow current	I_f	None
Nominal discharge current <i>15 x 8/20 µs impulses</i>	I_n	20 kA
Max. discharge current <i>max. withstand @ 8/20 µs by pole</i>	I_{max}	50 kA
Total Maximal discharge current <i>max. total withstand @ 8/20 µs</i>	$I_{max Total}$	100 kA
Impulse current by pole <i>max. withstand 10/350µs by pole</i>	I_{imp}	12.5 kA
Total lightning current <i>max. total withstand @ 10/350µs</i>	I_{total}	50 kA
Withstand on Combination waveform IEC 61643-11 <i>Class III test: 1.2/50µs - 8/20µs</i>	U_{oc}	6 kV
Specific energy by pole <i>max. withstand 10/350 µs</i>	W/R	40 kJ/ohm
Protection model(s)		L/N and N/PE
Protection level L/N <i>@ In (8/20µs)</i>	$U_p L/N$	1.5 kV
Protection level N/PE <i>@ In (8/20µs)</i>	$U_p N/PE$	1.5 kV
Residual voltage L/N at 5 kA <i>@ 5 kA (8/20µs)</i>	U_p-5kA	0.9 kV
Protection level N/PE at 5 kA <i>@ 5 kA (8/20µs)</i>	U_p-5kA	0.9 kV
Admissible short-circuit current	I_{sccr}	50 000 A



V: High-energy varistor
 GSG: Specific Gas Tube
 Ft: Thermal fuse
 t°: Thermal disconnection system
 MI: Disconnection indicator



CITEL

Mechanical Characteristics		
Technology		VG
SPD configuration		3- phase+Neutral
Connection to Network		By screw terminals: 2.5-25 mm ² (35 mm ² rigid)
Format		Plug-in modular box
Mounting		Symmetrical rail 35 mm (EN60715)
Housing material		Thermoplastic UL94-V0
Operating temperature		-40/+85°C
Protection rating		IP20
Failsafe mode		Disconnection from AC network
Disconnection indicator		1 mechanical indicator by pole - Red/Green
Spare module(s)		MDAC1-13VG-320 + MDAC1-50G-xxx
Remote signaling of disconnection		option DAC1-13VGS-31-320: output on changeover contact
Wiring for remote signaling		1.5 mm ² max.
Maw. Voltage/Current for remote signaling		250 V / 0.5 A (AC) / 30 V / 3 A (DC)
Dimensions		See diagram - 4TE (EN43880)
Weight		0.458 kg
Disconnectors		
Thermal disconnector		Internal
Installation ground fault breaker		Type 'S' or delayed
Fuses		125 A min. - 315 A max. - Fuses Type gG
Standards		
Standards compliance		IEC 61643-11 / EN 61643-11 / UL1449 4ed.
Certification		IEC 61463-11 / EN 61643-11
Part Number		821730334