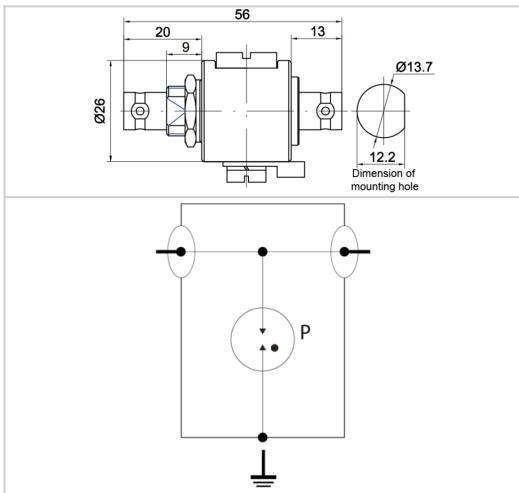


P8AX09-B/FF



- RF coaxial surge protector
- 3.5 GHz
- 25 W
- Connectors : BNC
- Low insertion loss
- Removale GDT
- DC-pass
- Bi-directional protection



Caractéristiques Électriques		
Frequency range	f	DC-3.5 GHz
Insertion loss		< 0.2 dB
Return loss		> 20 dB
Impedance		50 ohms
VSWR		<1.2:1
Max. load current	IL	10 A
Residual Current(Leakage current to Ground)	Ipe	None
Max. discharge current(max. withstand @ 8/20 µs by pole)	I _{max}	20 kA
Protection mode(s)		Common mode
Protection level (@ I _n 8/20µs)	U _p	< 700 V
Impulse current(2 x 10/350µs Test - D1 Category)	I _{imp}	1 kA
Nominal discharge current(8/20µs Test x 10 - C2 Category)	I _n	5 kA
Max Power		25 W
Typical let through energy([50 ohms] input 4kV 1.2/50µs - 2kA 8/20µs)		300 µJ
DC Pass		true
Insulation resistance	IR	≥10 GOhms
Caractéristiques Mécaniques		
Technology		Gas discharge tube
Connection to Network		Connector BNC Female/Female
Mounting		Feedthrough
Housing material		Brass/Surface plating : Cu Zn Sn
Operating temperature		-40/+85°C
Protection rating		IP66
Outdoor application		Yes
Failsafe mode		Short-circuit
Disconnection indicator		Transmission interrupt
Spare module(s)		BBHF-90V
Contacts		Bronze/Surface Au-Ag
Insulation material		PTFE
Weight		0.103 kg
Normes		
Standards compliance		IEC 61643-21 / EN 61643-21 / UL497C / UL497E
Code article		
60111		

