



CITEL

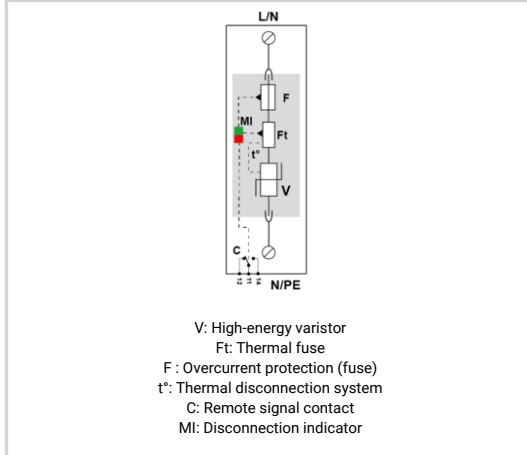
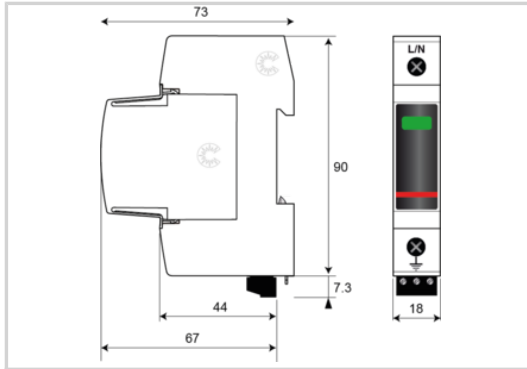
Type 2 AC surge protector - 1-pole - pluggable - Integrated fuse

DACF25S-10-440



Type 2 AC surge protector

- › In: 15 kA
- › I_{max}: 25 kA
- › Internal Disconnection device
- › Pluggable module for each phase
- › Remote signaling
- › EN 61643-11, IEC 61643-11 and UL1449 ed.5 compliance



Electrical Characteristics	
SPD type	2
Max. AC operating voltage	U _c 440 Vac
Temporary Over Voltage (TOV) Characteristics - 5 sec. Without disconnection	UT 580 Vac withstand
Temporary Over Voltage (TOV) Characteristics - 120 mn Without disconnection or with safety disconnection	UT 770 Vac disconnection
Residual Current Leakage current to Ground	I _{pe} < 1 mA
Follow current	I _f None
Nominal discharge current 15 x 8/20 μs impulses	I _n 15 kA
Max. discharge current max. withstand @ 8/20 μs by pole	I _{max} 25 kA
Connection mode(s)	L/N or N/PE
Protection level @ I _n (8/20 μs)	U _p 2 kV
Residual voltage at 5 kA @ 5 kA (8/20 μs)	U _{p-5kA} 1.5 kV
Admissible short-circuit current	I _{sc} 100 000 A
Mechanical Characteristics	
Technology	MOV
SPD configuration	Single phase
Connection to Network	By screw terminals: 2.5-25mm ² (35mm ² rigid)
Format	Plug-in modular box
Mounting	Symmetrical rail 35 mm (EN 60715)
Housing material	Thermoplastic UL94 V-0
Operating temperature	T _u -40/+85°C
Protection rating	IP20
Failsafe mode	Disconnection from AC network
Disconnection indicator	1 mechanical indicator - Red/Green
Spare module(s)	MDACF25-440
Remote signaling of disconnection	Output on changeover contact
Wiring for remote signaling	1.5 mm ² max.
Max. Voltage/Current for remote signaling	250 V / 0.5 A (AC) / 30 V / 3 A (DC)
Dimensions	See diagram - 1TE (EN43880)
Weight	0.115 kg
Disconnectors	
Thermal disconnector	Internal
Installation ground fault breaker	Type 'S' or delayed
Back-up protection device	internal (equivalent AC rating : 40 A, gG Type)
Standards	
Standards compliance	IEC 61643-11 / EN 61643-11 / UL1449 ed.5
Part number	
821410421	

