



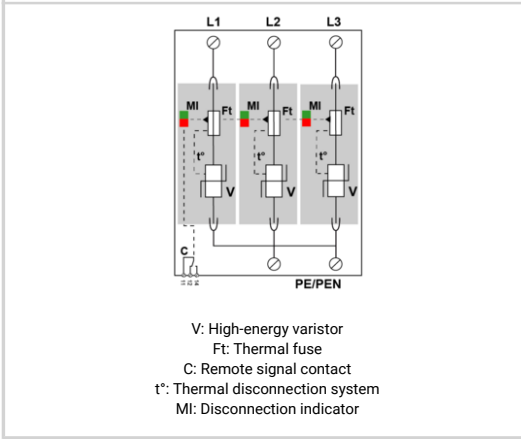
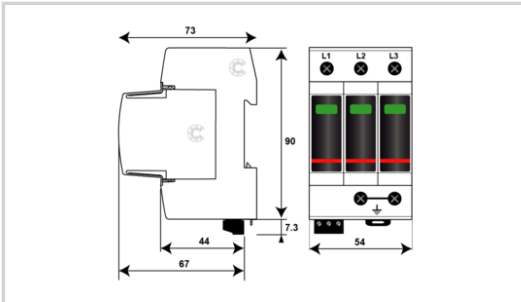
Type 2 AC surge protector - 3-phase

CITEL

DAC50S-30-760



- Type 2 AC surge protector
- In: 20 kA
- Imax: 50 kA
- Pluggable module for each phase
- Remote signaling
- UL1449 ed.5 certified
- EN 61643-11, IEC 61643-11 compliance



Electrical Characteristics		
SPD type		2
Network		400/690 Vac 3-phase
AC system		TNC-IT
Max. AC operating voltage	Uc	760 Vac
Temporary Over Voltage (TOV) Characteristics - 5 sec. Without disconnection	UT	1000 Vac withstand
Temporary Over Voltage (TOV) Characteristics - 120 mn Without disconnection or with safety disconnection	UT	1325 Vac disconnection
Residual Current Leakage current to Ground	Ipe	< 1 mA
Follow current	If	None
Nominal discharge current 15 x 8/20 μs impulses	In	20 kA
Max. discharge current max. withstand @ 8/20 μs by pole	Imax	50 kA
Total Maximum discharge current max. total withstand @ 8/20 μs	Imax Total	150 kA
Protection mode(s)		L/PE
Protection level L/PE @ In (8/20μs)	Up L/PE	2.9 kV
Residual voltage L/PE at 5 kA @ 5 kA (8/20μs)	Up-5kA	2.6 kV
Admissible short-circuit current	Iscsr	50 000 A
Mechanical Characteristics		
Technology		MOV
SPD configuration		3-phase
Connection to Network		By screw terminals: 2.5-25mm ²
Format		Plug-in modular box
Mounting		Symmetrical rail 35 mm (EN 60715)
Housing material		Thermoplastic UL94 V-0
Operating temperature	Tu	-40/+85°C
Protection rating		IP20
Failsafe mode		Disconnection from AC network
Disconnection indicator		1 mechanical indicator by pole - Red/Green
Spare module(s)		MDAC50-760
Remote signaling of disconnection		Output on changeover contact
Wiring for remote signaling		1.5 mm ² max.
Max. Voltage/Current for remote signaling		250 V / 0.5 A (AC) / 30 V / 3 A (DC)
Dimensions		See diagram - 3 TE (EN43880)
Disconnectors		
Thermal disconnector		Internal
Installation ground fault breaker		Type 'S' or delayed
Back-up protection device		50 A min. - 125 A max. - Fuses Type gG
Standards		
Standards compliance		IEC 61643-11 / EN 61643-11 / UL1449 ed.5
Certification		ÖVE
Part number		
821110723		

