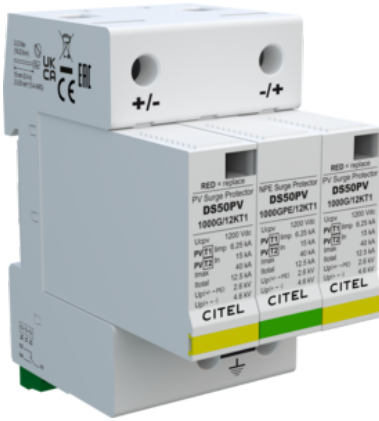




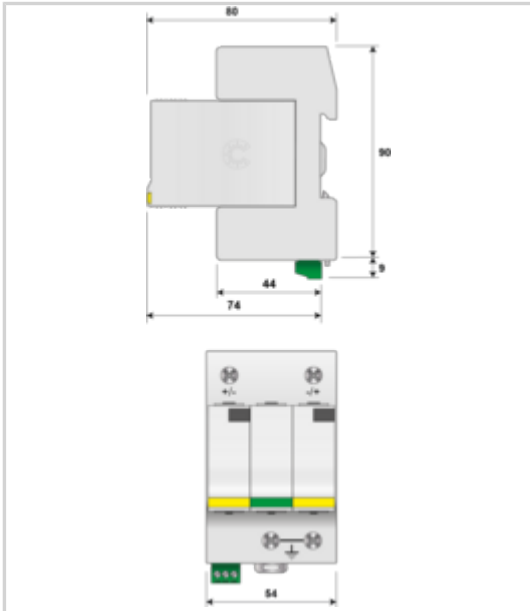
Type 1+2 PV surge protector

CITEL

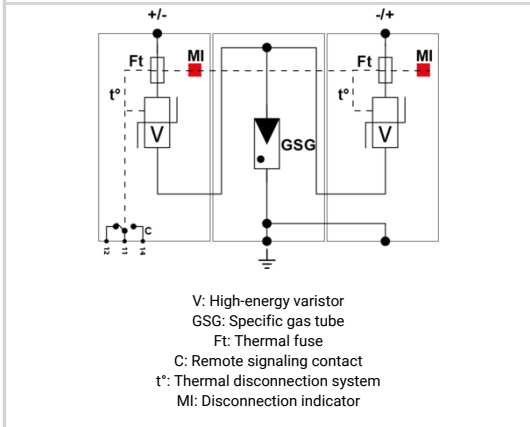
DS50PVS-1000G/12KT1



- Type 1+2 surge protector for Photovoltaic
- Impulse currents I_{imp}/I_{total} : 6.25/12.5 kA (10/350 μ s)
- Common/Differential mode protection
- Remote signaling
- IEC 61643-31, EN 61643-31, EN 50539-11 and UL1449 ed.5 compliance



Electrical Characteristics	
SPD type	1+2
Network	PV network 1000 Vdc
Nominal PV voltage	Uocstc 1000 Vdc
Max. PV operating voltage	Uc _{pv} 1200 Vdc
Residual Current Leakage current to Ground	I _{pe} None
PV Permanent Operating current Current consumption at U _{cpv}	I _{cpv} < 0.1 mA
Follow current	I _f None
Nominal discharge current 15 x 8/20 μ s impulses	I _n 15 kA
Max. discharge current max. withstand @ 8/20 μ s by pole	I _{max} 40 kA
Total Maximum discharge current max. total withstand @ 8/20 μ s	I _{max} Total 60 kA
Impulse current by pole max. withstand 10/350 μ s by pole	I _{imp} 6.25 kA
Total lightning current max. total withstand @ 10/350 μ s	I _{total} 12.5 kA
Current withstand short circuit PV	I _{scpv} 15 000 A
Connection mode(s)	+/-/PE
Protection mode(s)	Common/Differential mode
Protection level +/- @ I _n (8/20 μ s)	U _p 4.6 kV
Protection level +/-PE (-/PE) @ I _n (8/20 μ s)	U _p 2.6 kV



Mechanical Characteristics	
Technology	MOV+GDT
Connection to Network	By screw terminals: 2.5-25mm ²
Format	Plug-in modular box
Mounting	Symmetrical rail 35 mm (EN 60715)
Housing material	Thermoplastic UL94 V-2
Operating temperature	T _u -40/+85°C
Protection rating	IP20
Disconnection indicator	2 mechanical indicators
Spare module(s)	DSM50PV-1000G/12KT1
Remote signaling of disconnection	Output on changeover contact
Dimensions	See diagram
Weight	0.396 kg
Disconnectors	
Thermal disconnector	Internal
Back-up protection device	Without
Standards	
Standards compliance	IEC 61643-31 / EN 61643-31 / EN 50539-11 / UL1449 ed.5
Certification	TUV
Part number	
482393	

