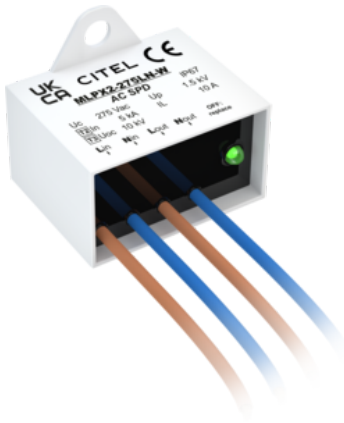




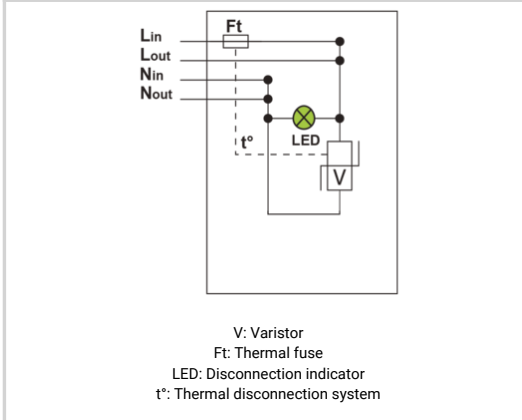
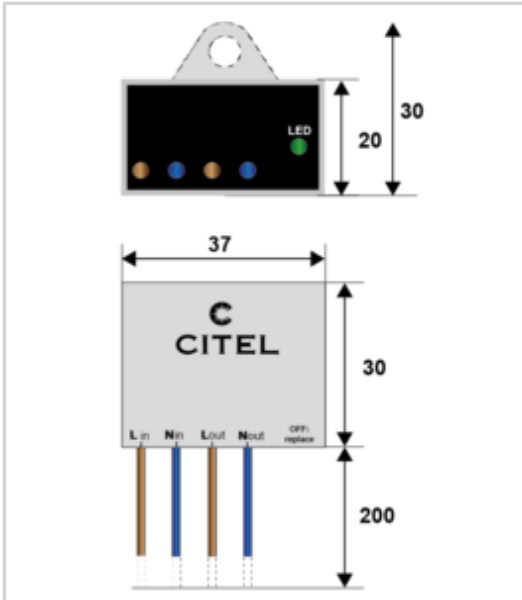
CITEL

Ultra Compact Type 2+3 hard wired surge protector for class II

MLPX2-275LN-W



- Ultra compact Type 2+3 hard wired surge protectors
- Lin/Nin and Lout/Nout
- Wall mounting and hard wired connection
- Bracket breakable
- Protection rating : IP67
- Disconnection signaling by indicator
- AC disconnection in case of end of life
- EN 61643-11, IEC 61643-11 and UL1449 5ed. compliance



Electrical Characteristics	
SPD type	2+3
Network	230-277 V Single-phase
AC system	TT-TN
Nominal line voltage	Un 230 V
Max. AC operating voltage	Uc 275 Vac
Max. load current @25°C	IL 10 A
Temporary Over Voltage (TOV) Characteristics - 5 sec. Without disconnection	UT 335 Vac withstand
Temporary Over Voltage (TOV) Characteristics - 120 mn Without disconnection or with safety disconnection	UT 440 Vac disconnection
Temporary Over Voltage N/PE (TOV HT) Without disconnection or with safety disconnection	UT 1200 V/300A/200 ms disconnection
Residual Current Leakage current to Ground	Ipe None
Nominal discharge current 15 x 8/20 μs impulses	In 5 kA
Max. discharge current max. withstand @ 8/20 μs by pole	I _{max} 10 kA
Total Maximum discharge current max. total withstand @ 8/20 μs	I _{max} Total 20 kA
Withstand on Combination waveform IEC 61643-11 Class III test: 1.2/50μs - 8/20μs	Uoc 10 kV
Withstand on overvoltages IEEE C62.41.1	10 kV / 10 kA
Protection mode(s)	Differential Mode
Protection level L/N @ In (8/20μs)	Up L/N 1.5 kV
Admissible short-circuit current	I _{sc} 10 000 A
Mechanical Characteristics	
Technology	MOV
Connection to Network	By solid wires: 0.75mm ²
Mounting	Wall or plate
Housing material	Thermoplastic UL94 V-0
Operating temperature	Tu -40/+85°C
Protection rating	IP67
Failsafe mode	Disconnection and AC line cut-off
Disconnection indicator	LED green OFF and AC network cut-off
Voltage/operating indicator	Green Led ON
Dimensions	See diagram
Weight	0.040 kg
Disconnectors	
Thermal disconnector	Internal
Installation ground fault breaker	Type 'S' or delayed
Standards	
Standards compliance	IEC 61643-11 / EN 61643-11 / UL1449 ed.5
Part number	
713567	

