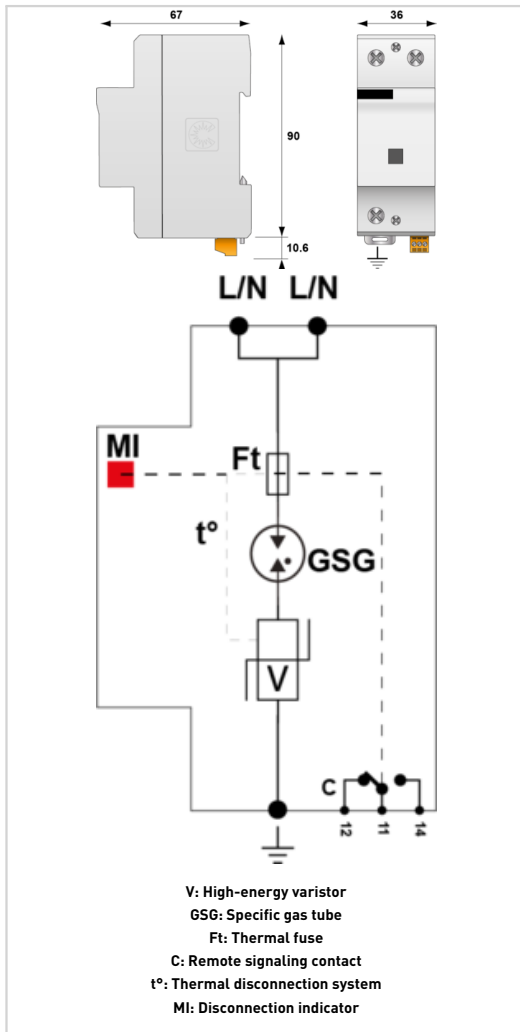


DS250VG-120



- Type 1+2+3 unipolar surge protector
- 25 kA on 10/350µs impulse
- Low voltage Up
- Internal disconnection, status indicator and remote signaling
- Optimized to TOV
- IEC 61643-11 compliance
- UL1449 ed.4 recognition



Caractéristiques Électriques

SPD type	1+2+3
Network	120/208 V
Nominal line voltage	Un 120 Vac
Max. AC operating voltage L-N	Uc 150 Vac
Max. load current(if series connection)	IL 100 A
Temporary Over Voltage (TOV) Characteristics - 5 sec. (Without disconnection)	UT 180 Vac withstand
Temporary Over Voltage (TOV) Characteristics - 120 mn (Without disconnection or with safety disconnection)	UT 230 Vac withstand
Residual Current(Leakage current to Ground)	Ipe None
Follow current	If None
Nominal discharge current (15 x 8/20 µs impulses)	In 30 kA
Max. discharge current(max. withstand @ 8/20 µs by pole)	Imax 70 kA
Impulse current by pole(max. withstand 10/350µs by pole)	Iimp 25 kA
Withstand on Combination waveform IEC 61643-11 (Class III test: 1.2/50µs - 8/20µs)	Uoc 20 kV
Withstand on overvoltages IEEE C62.41.1	20 kV
Specific energy by pole(max. withstand 10/350 µs)	W/R 156 kJ/ohm
Connection mode(s)	L/N or L/PE
Protection mode(s)	Common Mode or Differential Mode
Protection level(@ In [8/20µs] and @ 6 kV [1,2/50 µs])	Up 1 kV
Residual voltage (@ In [8/20 µs])	Up-in 0.7 kV
Residual voltage at 5 kA[@ 5 kA (8/20µs)]	Up-5kA 0.4 kV
Admissible short-circuit current	Iscrc 50 000 A

Caractéristiques Mécaniques

Technology	VG
SPD configuration	2 poles
Connection to Network	By screw terminals : 6-35 mm ² / by bus
Format	1-pole modular box
Mounting	Symmetrical rail 35 mm (EN60715)
Housing material	Thermoplastic UL94-V0
Operating temperature	-40/+85°C
Protection rating	IP20
Failsafe mode	Disconnection
Disconnection indicator	1 mechanical indicator
Remote signaling of disconnection	Output on changeover contact

Déconnecteurs associés

Thermal disconnector	Internal
Installation ground fault breaker	Type 'S' or delayed
Fuses	Fuses type gG - 315 A

Normes

Standards compliance	IEC 61643-11 / EN 61643-11 / UL1449 4ed.
Certification	UL / EAC / TÜV

Code article

2787