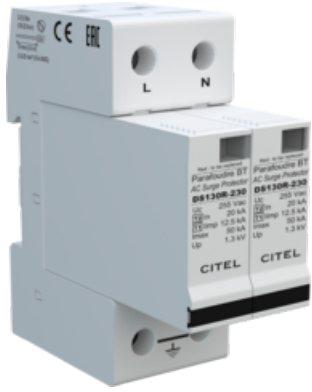




CITEL

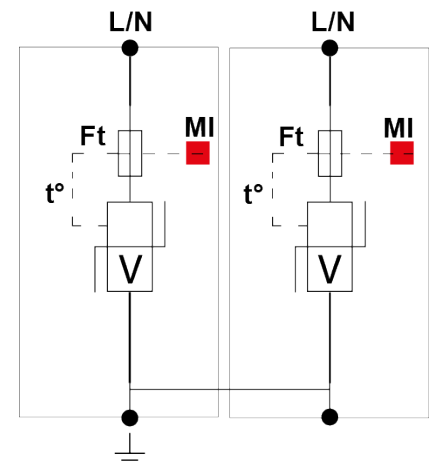
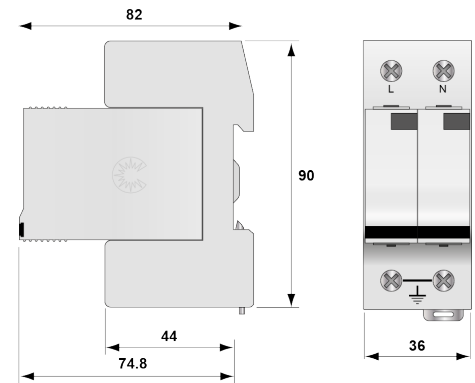


DS132R-230



- Type 1 + 2 AC multipolar surge protector
- I_n : 20 kA
- I_{imp} total : 25 kA
- Pluggable module for each phase
- Remote signaling (option)
- EN 61643-11, IEC 61643-11 compliance

Electrical Characteristics		
SPD type <i>following IEC test</i>		1+2
Network		230 V single-phase
AC system		TN
Nominal line voltage	U_n	230 Vac
Max. AC operating voltage L-N	U_c	255 Vac
Temporary Over Voltage (TOV) Characteristics - 5 sec. <i>without disconnection</i>	U_T	335 Vac withstand
Temporary Over Voltage (TOV) Characteristics - 120 mn <i>without disconnection or with safety disconnection</i>	U_T	440 Vac disconnection
Operating current <i>Continuous current at U_c</i>	I_c	< 1 mA
Follow current	I_f	None
Nominal discharge current <i>15 x 8/20 μs impulses</i>	I_n	20 kA
Max. discharge current <i>max. withstand @ 8/20 μs by pole</i>	I_{max}	50 kA
Impulse current by pole <i>max. withstand 10/350μs by pole</i>	I_{imp}	12.5 kA
Total lightning current <i>max. total withstand @ 10/350μs</i>	I_{total}	25 kA
Withstand on overvoltages IEEE C62.41.1		20 kV
Admissible short-circuit current	I_{sc}	25000 A
Connection mode(s)		L/PE and N/PE
Protection mode(s)		Common mode
Protection level L/PE <i>@ I_n (8/20μs)</i>	U_p L/PE	1.3 kV
Protection level N/PE <i>@ I_n (8/20μs)</i>	U_p N/PE	1.3 kV
Specific energy by pole <i>max. withstand 10/350 μs</i>	W/R	40 kJ/ohm



V: High-energy varistor
 Ft: Thermal fuse
 t°: Thermal disconnection system
 MI: Disconnection indicator



Mechanical Characteristics		
Technology		MOV
SPD configuration		Single phase
Connection to Network		By screw terminals: 2.5-25 mm ² / by bus
Format		Plug-in modular box
Mounting		Symmetrical rail 35 mm (EN60715)
Housing material		Thermoplastic UL94-V0
Operating temperature		-40/+85°C
Protection rating		IP20
Failsafe behavior		Disconnection
Disconnection indicator		1 mechanical indicator by pole
Spare module(s)		DSM130R-230
Remote signaling of disconnection		option DS132RS-230 : output on changeover contact
Dimensions		See diagram
Disconnectors		
Thermal disconnecter		Internal
Installation ground fault breaker		Type 'S' or delayed
Fuses		Fuses Type gG - 125 A
Standards		
Standards compliance		IEC 61643-11 / EN 61643-11 / UL1449 4ed.
Certification		EAC
Part Number		571502