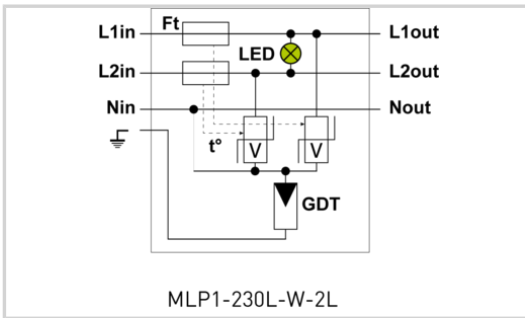


Specially developed spd with combined protection for 2-phase power supply (control phase):



- Many variants available depending on application
- With screw terminals or cable wiring
- IP65 versions
- For protection class I or II application
- Developed for Uoc: 10 kV and I<sub>max</sub>: 10 kA for highest outdoor requirements according to IEEE & ANSI
- Optical error signalling



Electrical Characteristics	
SPD type	2+3
Network	220-240 V Single-phase
AC system	TT-TN
Nominal line voltage	U <sub>n</sub> 230-277 Vac
Max. AC operating voltage	U <sub>c</sub> 305 Vac
Max. frequency	f max. 10 MHz
Max. load current @25°C	I <sub>L</sub> 2.5 A
Temporary Over Voltage (TOV) Characteristics - 5 sec. Without disconnection	U <sub>T</sub> 335 Vac withstand
Temporary Over Voltage (TOV) Characteristics - 120 mn Without disconnection or with safety disconnection	U <sub>T</sub> 440 Vac disconnection
Residual Current Leakage current to Ground	I <sub>pe</sub> None
Follow current	I <sub>f</sub> None
Nominal discharge current 15 x 8/20 μs impulses	I <sub>n</sub> 5 kA
Max. discharge current max. withstand @ 8/20 μs by pole	I <sub>max</sub> 10 kA
Total Maximum discharge current max. total withstand @ 8/20 μs	I <sub>max</sub> Total 20 kA
Withstand on Combination waveform IEC 61643-11 Class III test: 1.2/50μs - 8/20μs	U <sub>oc</sub> 10 kV / 5 kA
Withstand on overvoltages IEEE C62.41.1	10 kV / 10 kA
Protection mode(s)	Common/Differential mode
Protection level L/N @ In (8/20μs)	U <sub>p</sub> L/N 1.5 kV
Protection level L/PE @ In (8/20μs)	U <sub>p</sub> L/PE 1.5 kV
Admissible short-circuit current	I <sub>sc</sub> 10 000 A
Mechanical Characteristics	
Technology	MOV+GDT
Connection to Network	By screw terminal: 1.5mm <sup>2</sup> max.
Mounting	On plate
Housing material	Thermoplastic UL94 V-0
Operating temperature	T <sub>u</sub> -40/+85°C
Protection rating	IP65
Failsafe mode	Disconnection and AC line cut-off
Disconnection indicator	LED green OFF and AC network cut-off
Voltage/operating indicator	Green Led ON
Remote signaling of disconnection	No
Dimensions	See diagram
Disconnectors	
Thermal disconnector	Internal
Installation ground fault breaker	Type 'S' or delayed
Standards	
Standards compliance	IEC 61643-11 / EN 61643-11 / UL1449 ed.5
Part number	731211