



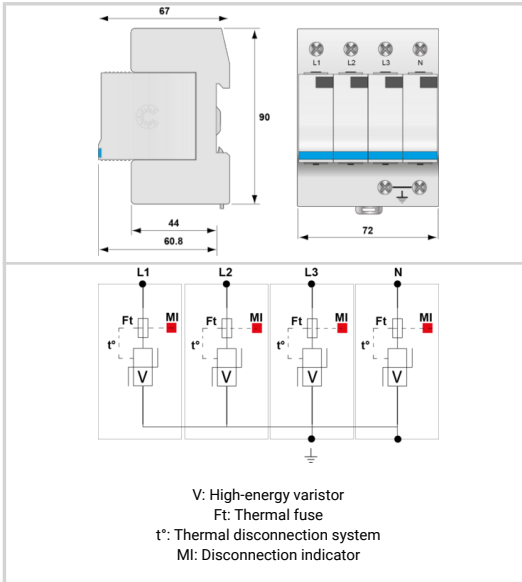
Type 2 (or 3) AC surge protector - 3-phase+N

CITEL

DS14-230



- ↳ Type 2 (or 3) AC Multipolar surge protector
- ↳ I_n : 5 kA
- ↳ I_{max} total: 40 kA
- ↳ Pluggable module by phase
- ↳ Remote signaling option
- ↳ EN 61643-11, IEC 61643-11, UL1449 ed.5 compliance



Electrical Characteristics	
SPD type	2 (or 3)
Network	230/400 V 3-phase+N
AC system	TNS
Nominal line voltage	U_n 230 Vac
Max. AC operating voltage	U_c 255 Vac
Temporary Over Voltage (TOV) Characteristics - 5 sec. Without disconnection	UT 335 Vac withstand
Temporary Over Voltage (TOV) Characteristics - 120 mn Without disconnection or with safety disconnection	UT 440 Vac disconnection
Residual Current Leakage current to Ground	I_{pe} < 2 mA
Follow current	I_f None
Nominal discharge current 15 x 8/20 μ s impulses	I_n 5 kA
Max. discharge current max. withstand @ 8/20 μ s by pole	I_{max} 10 kA
Total Maximum discharge current max. total withstand @ 8/20 μ s	I_{max} Total 40 kA
Withstand on Combination waveform IEC 61643-11 Class III test: 1.2/50 μ s - 8/20 μ s	U_{oc} 10 kV
Withstand on overvoltages IEEE C62.41.1	10 kV
Connection mode(s)	L/PE and N/PE
Protection mode(s)	Common mode
Protection level N/PE @ I_n (8/20 μ s)	U_p N/PE 0.9 kV
Protection level L/PE @ I_n (8/20 μ s)	U_p L/PE 1.2 kV
Admissible short-circuit current	I_{sc} 25 000 A
Mechanical Characteristics	
Technology	MOV
SPD configuration	3-phase+Neutral
Connection to Network	By screw terminals: 2.5-25mm ² / by bus
Format	Plug-in modular box
Mounting	Symmetrical rail 35 mm (EN 60715)
Housing material	Thermoplastic UL94 V-0
Operating temperature	T_u -40/+85°C
Protection rating	IP20
Failsafe mode	Disconnection from AC network
Disconnection indicator	1 mechanical indicator by pole
Spare module(s)	DSM10-230
Remote signaling of disconnection	option DS14S-230 : output on changeover contact
Dimensions	See diagram
Disconnectors	
Thermal disconnector	Internal
Installation ground fault breaker	Type 'S' or delayed
Back-up protection device	20 A min. - 125 A max. - Fuses type gG
Standards	
Standards compliance	IEC 61643-11 / EN 61643-11 / UL1449 ed.5
Certification	UL Recognized
Part number	
471502	

