



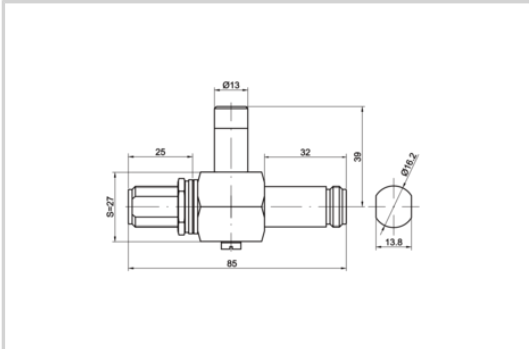
CITEL

'Quarter wave' coaxial protector

PRC2400-NW/FF



- › 'Quarter wave' coaxial protector type N
- › Frequency : 2300-2500 MHz
- › Low insertion loss
- › $I_{max} > 50$ kA
- › Maintenance free
- › Bi-directional
- › IP65



Electrical Characteristics		
Frequency range	f	2300-2500 MHz
Insertion loss		< 0.2 dB
Return loss		> 20 dB
Impedance		50 ohms
VSWR		<1.2:1
Max. load current @25°C	IL	10 A
Max. discharge current max. withstand @ 8/20 µs by pole	I_{max}	50 kA
Protection mode(s)		Common mode
Protection level @ In (8/20µs)	Up	< 30 V
Impulse current 2 x 10/350µs Test - D1 Category	limp	25 kA
Nominal discharge current C2 Category	In	25 kA
Max Power @f max.		813 W
Max Power @f mini.		848 W
PIM 3rd order (2x20W)		< -160 dBc
DC Pass		No
Mechanical Characteristics		
Technology		Quarter Wave
Connection to Network		Connector N Female/Female
Mounting		Feedthrough
Housing material		Brass/Surface plating: Cu Zn Sn
Operating temperature	Tu	-40/+85°C
Protection rating		IP65
Failsafe mode		Without
Dimensions		See diagram
Contacts		Bronze/Surface Au-Ag
Standards		
Standards compliance		IEC 61643-21 / EN 61643-21 / UL497E
RohS compliance		Yes
Part number		
621171		

