



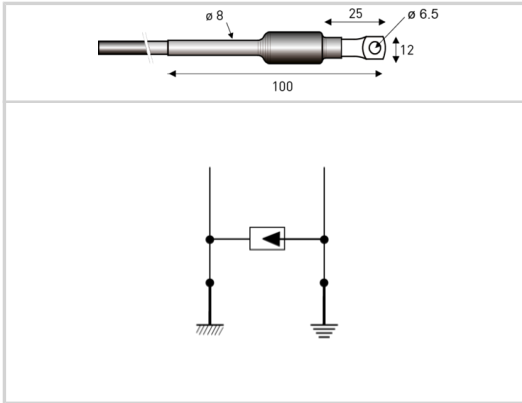
CITEL

Isolating spark gap (ISG)

BF PC 500/20



- ↳ Isolating spark gap
- ↳ Outdoor application
- ↳ Max. discharge current: 100 kA
- ↳ EN 62561-3 compliance



Electrical Characteristics		
Rated DC withstand voltage	Uw DC	400 V
Rated AC withstand voltage	Uw AC	280 V
Max. discharge current <i>max. withstand @ 8/20 μs by pole</i>	I _{max}	100 kA
Impulse current by pole <i>max. withstand 10/350 μs by pole</i>	I _{imp}	50 kA
Classification following IEC 62561-3		N
Mechanical Characteristics		
Technology		Gas discharge tube
Connection to Network		Wire (BF PS) wire terminal (BF PC)
Operating temperature	T _u	-40/+85°C
Protection rating		IP67
Number of units per package		1 unit per packaging
Dimensions		See diagram
Weight		0.057 kg
Standards		
Standards compliance		EN 62561-3
RohS compliance		Yes
Part number		
90231522		

