



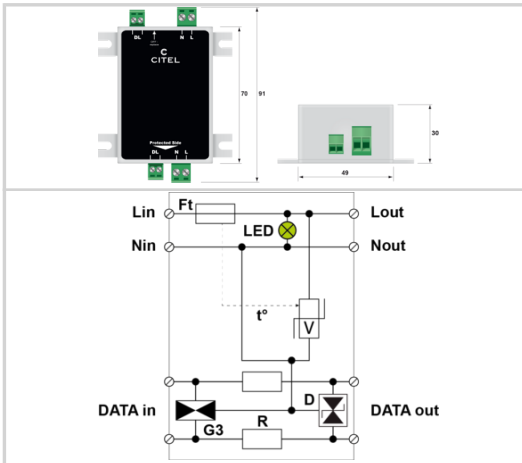
Surge protectors for LED lighting system Class 2

CITEL

MLP2-230L-P/DL



- Type 2 or 3 surge protector for 2-phase (Power/Control)
- For LED lighting system
- Class I configuration
- IP65 version
- Very compact dimensions
- Max. discharge current 10kA
- EN 61643-11, IEC 61643-11 compliance



Electrical Characteristics	
SPD type	2+3
AC system	TT-TN
Nominal line voltage	Un 230-277 Vac
Max. AC operating voltage	Uc 305 Vac
Max. frequency	f max. 10 MHz
Max. load current @25°C	IL 2.5 A
Temporary Over Voltage (TOV) Characteristics - 5 sec. Without disconnection	UT 335 Vac withstand
Temporary Over Voltage (TOV) Characteristics - 120 mn Without disconnection or with safety disconnection	UT 440 Vac disconnection
Residual Current Leakage current to Ground	Ipe None
Follow current	If None
Nominal discharge current 15 x 8/20 μs impulses	In 5 kA
Max. discharge current max. withstand @ 8/20 μs by pole	Imax 10 kA
Total Maximum discharge current max. total withstand @ 8/20 μs	Imax Total 20 kA
Withstand on Combination waveform IEC 61643-11 Class III test: 1.2/50μs - 8/20μs	Uoc 10 kV / 5 kA
Withstand on overvoltages IEEE C62.41.1	10 kV / 10 kA
Protection mode(s)	Common/Differential mode
Protection level L/N @ In (8/20μs)	Up L/N 1.5 kV
Protection level L/PE @ In (8/20μs)	Up L/PE 1.5 kV
Admissible short-circuit current	Iscrc 10 000 A
Mechanical Characteristics	
Mounting	Wall or plate
Housing material	Thermoplastic UL94 V-0
Operating temperature	Tu -40/+85°C
Dimensions	See diagram
Disconnectors	
Thermal disconnect	Internal
Installation ground fault breaker	Type 'S' or delayed
Standards	
Standards compliance	IEC 61643-11 / EN 61643-11 / UL1449 ed.5
Part number	721232

