



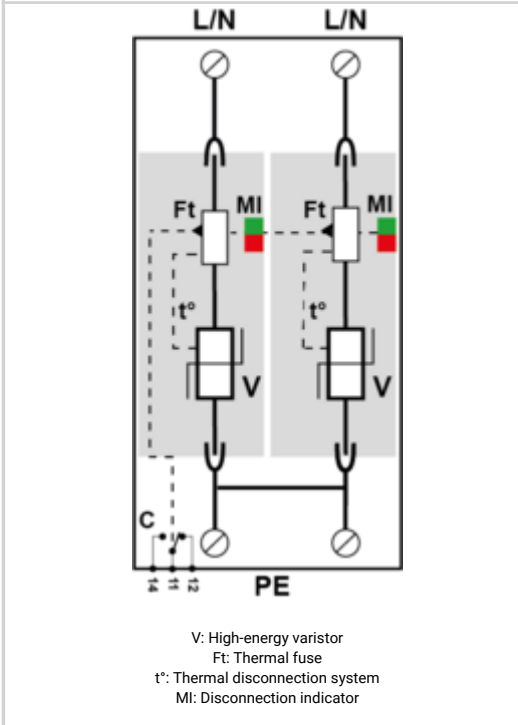
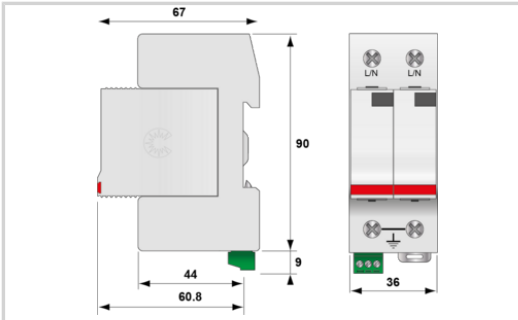
Type 2 AC surge protector - Single-phase

CITEL

DS42S-280



- Discover our latest innovation : the [DAC50S-20-320](#)
- Type 2 AC Multipolar surge protector
- In: 20 kA
- Imax total: 80 kA
- Pluggable module for each phase
- Remote signaling
- EN 61643-11, IEC 61643-11, UL1449 ed.5



| Electrical Characteristics | |
|--|--|
| SPD type | 2 |
| Network | 230 V single-phase |
| AC system | TN |
| Nominal line voltage | Un 230 Vac |
| Max. AC operating voltage | Uc 280 Vac |
| Temporary Over Voltage (TOV) Characteristics - 5 sec. Without disconnection | UT 335 Vac withstand |
| Temporary Over Voltage (TOV) Characteristics - 120 mn Without disconnection or with safety disconnection | UT 440 Vac disconnection |
| Residual Current Leakage current to Ground | Ipe < 1 mA |
| Follow current | If None |
| Nominal discharge current 15 x 8/20 μs impulses | In 20 kA |
| Max. discharge current max. withstand @ 8/20 μs by pole | Imax 40 kA |
| Total Maximum discharge current max. total withstand @ 8/20 μs | Imax Total 80 kA |
| Connection mode(s) | L/PE and N/PE |
| Protection mode(s) | Common mode |
| Protection level N/PE @ In (8/20μs) | Up N/PE 0.9 kV |
| Protection level L/PE @ In (8/20μs) | Up L/PE 1.3 kV |
| Admissible short-circuit current | Iscrr 25 000 A |
| Mechanical Characteristics | |
| Technology | MOV |
| SPD configuration | Single phase |
| Connection to Network | By screw terminals: 2.5-25mm ² / by bus |
| Format | Plug-in modular box |
| Mounting | Symmetrical rail 35 mm (EN 60715) |
| Housing material | Thermoplastic UL94 V-0 |
| Operating temperature | Tu -40/+85°C |
| Protection rating | IP20 |
| Failsafe mode | Disconnection from AC network |
| Disconnection indicator | 1 mechanical indicator by pole |
| Spare module(s) | DSM40-280 |
| Remote signaling of disconnection | output on changeover contact |
| Dimensions | See diagram |
| Weight | 0.19 kg |
| Disconnectors | |
| Thermal disconnector | Internal |
| Installation ground fault breaker | Type 'S' or delayed |
| Back-up protection device | Fuses type gG - 50 A |
| Standards | |
| Standards compliance | IEC 61643-11 / EN 61643-11 / UL1449 ed.5 |
| Certification | CSA / UL Listed |
| Part number | |
| 461121 | |

