

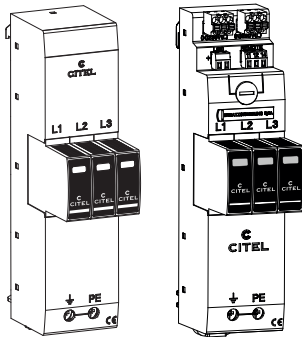


# CITEL

N201201c

INSTALLATION INSTRUCTIONS - NOTICE D'INSTALLATION  
 NOTICIA DE INSTALACIÓN - INSTALLATIONSHINWEISE  
 ISTRUZIONI PER L'INSTALLAZIONE  
 INSTRUCOES DE INSTALCAO - MONTÁŽNÍ NÁVOD  
 РУКОВОДСТВО ПО МОНТАЖУ - 安装指导书

AC surge protector for 40 mm busbar systems -  
 AC- Blitzstromableiter für 40mm Sammelschienensystem



## ZPAC1 Series

## Technical Data

	P/N													
	ZPAC1-8VG-30-275	ZPAC1-8VG-31-275	ZPAC1-8VG-PRO-U-TNC	ZPAC1-8VG-PRO-U	ZPAC1-8VG-PRO-SU-TNC	ZPAC1-8VG-PRO-SU	ZPAC1-8VG-PRO-SUM	ZPAC1-13VG-30-275	ZPAC1-13VG-31-275	ZPAC1-13VG-PRO-U-TNC	ZPAC1-13VG-PRO-U	ZPAC1-13VG-PRO-SU-TNC	ZPAC1-13VG-PRO-SU	ZPAC1-13VG-PRO-SUM
<b>AC network</b>														
<b>230/400 Vac 3L+N</b>	●	●	●	●	●	●	●	●	●	●	●	●	●	●
<b>AC System</b>														
<b>TN-C</b>	●	●	●	●	●	●	●	●	●	●	●	●	●	●
<b>TN-S</b>		●												
<b>TT</b>		●												
<b>Characteristics</b>														
<b>I<sub>imp</sub>*</b>	8 kA						12.5 kA							
<b>I<sub>PE</sub></b>	None													
<b>I<sub>max</sub>*</b>	50 kA													
<b>I<sub>SCCR</sub></b>	50 kA													
<b>Port configuration</b>	1 - port SPD													
<b>Features</b>														
<b>Remote signaling</b>				●	●	●	●	●	●	●	●	●	●	●
<b>Voltage taps</b>		●	●	●	●	●	●	●	●	●	●	●	●	●
<b>Sensor for LSCM-D</b>							●							●

\* Value per pole

Table 1

## Installation

**TT + TNS**

- Choose position for a 5 mm thick busbar **Or** Position for a 10 mm thick busbar
- Put the clip bracket on this position
- Insert on the first busbar system
- Push on the last busbar system (depending on the ZPAC version)
- Push the clip to fix ZPAC
- 16 mm / 0.6 in
- 3.5 - 4 Nm / 31 - 35.4 Lb-In

Note: remove the protection film if needed

Min-Max for PE

6 - 50 mm <sup>2</sup>
6 - 35 mm <sup>2</sup>

There is no minimum distance required from the SPD to any earthed conductive surface.

**TNC**

- Choose position for a 5 mm thick busbar **Or** Position for a 10 mm thick busbar
- Put the clip bracket on this position
- Insert on the first busbar system
- Push on the last busbar system (depending on the ZPAC version)
- Push the clip to fix ZPAC
- 16 mm / 0.6 in
- 3.5 - 4 Nm / 31 - 35.4 Lb-In

Note: remove the protection film if needed

Min-Max for PEN

6 - 50 mm <sup>2</sup>
6 - 35 mm <sup>2</sup>

There is no minimum distance required from the SPD to any earthed conductive surface.

## Wiring : SPD mounting on a 40mm busbar system

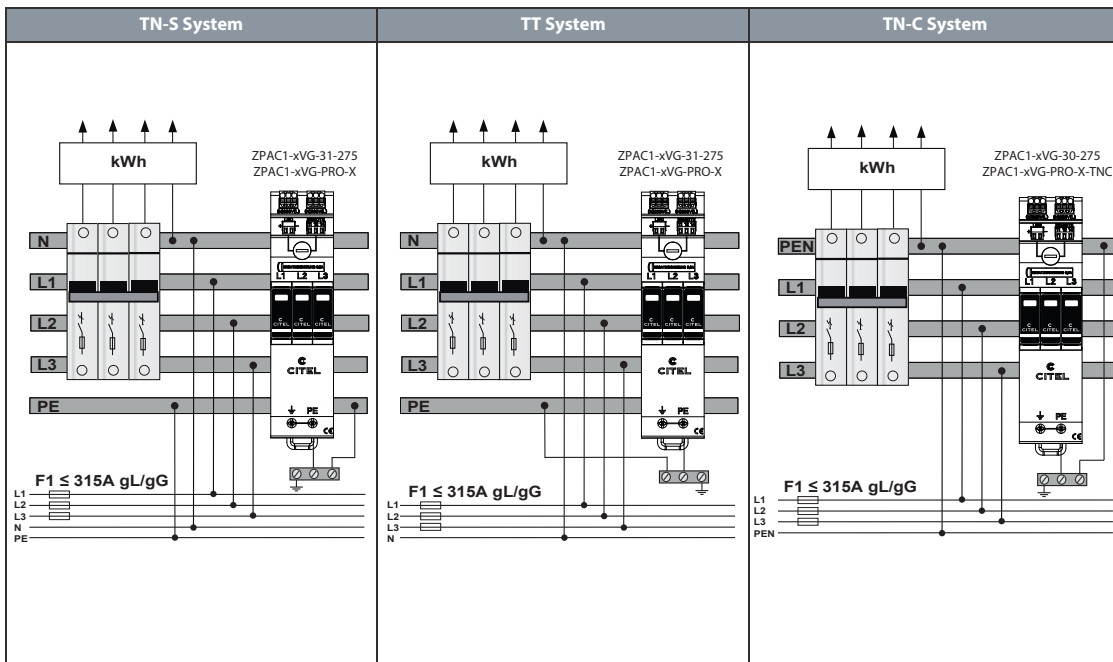
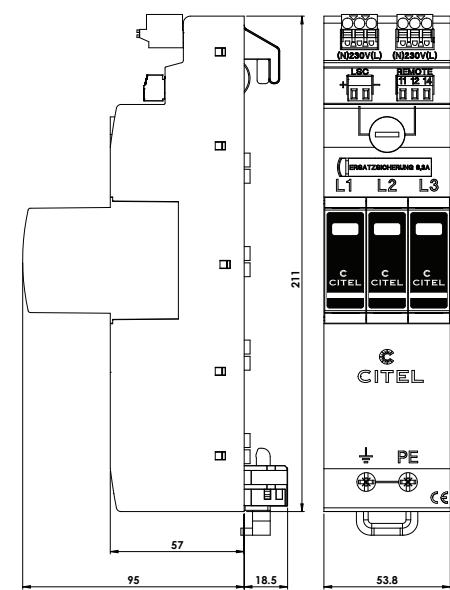
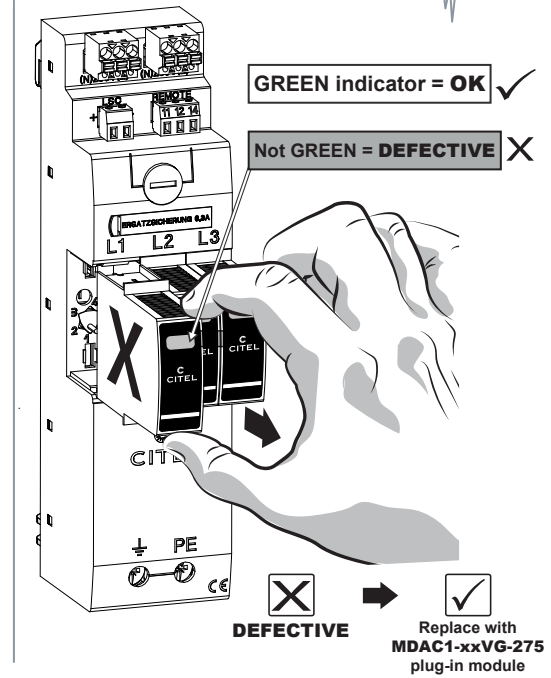


Table 2

## Dimensions (in mm)



## Maintenance

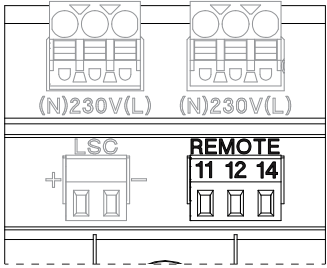


## PRO Option : Remote contact wiring (SU/SUM)

1.5 mm<sup>2</sup> / 16 AWG max.  
0.5 Nm / 2.1 Lb-In max.  
250 Vac / 0.5 A max.  
30 Vdc / 3 A max.

### Remote signal for disconnection information

11-12 Closed = SPD OK  
11-14 Open = SPD OK  
11-12 Open = SPD disconnect  
11-14 Closed = SPD disconnect



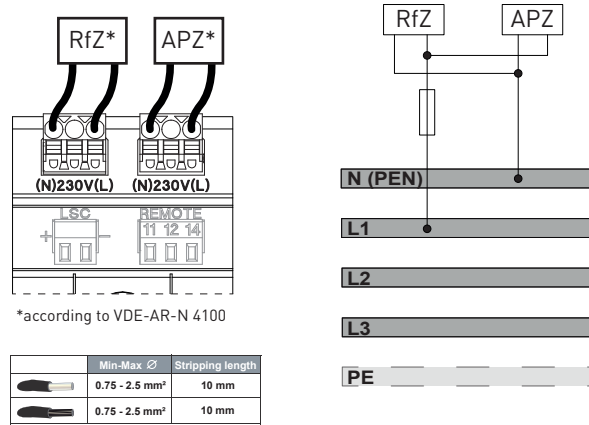
## IMPORTANT INFORMATION (U/SU/SUM)

- RfZ (space for additional applications)  
APZ (termination point meter position)  
The installation of the power supply cables must be mechanically protected, e.g. using the enclosed insulating hose or earth and short-circuit proof according to DIN VDE 0100-430 (VDE 0100-430). Pre-assembled cables are available \*.

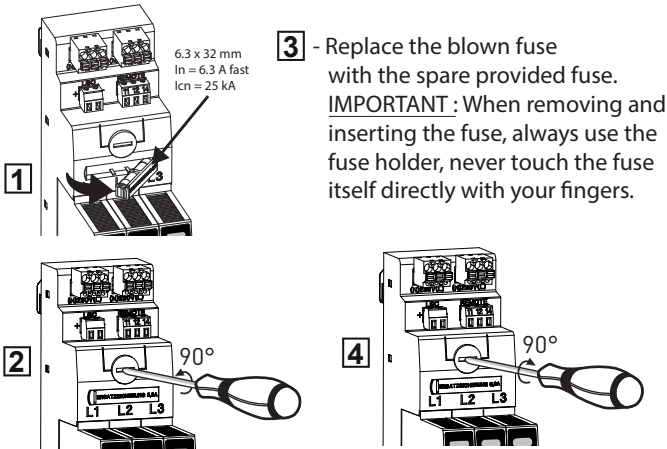
- Pay attention to the correct fuse used in the main power system: 6.3x32 mm, In = 6.3 A fast acting, Icn = 25 kA  
The reserve fuse is located in the compartment below the fuse holder \*.

\* Note : Contact CITEL for further information

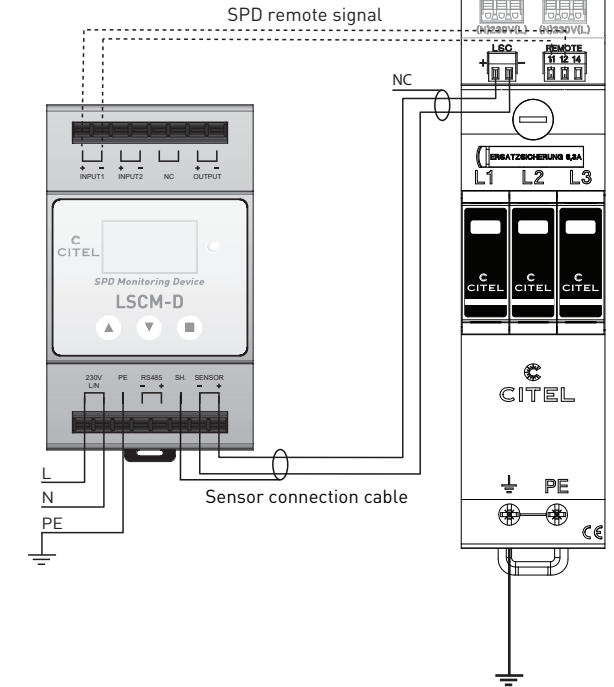
## PRO Option : Voltage Tap (U/SU/SUM)



## Fuse Replacement (for ZPAC Pro only)



## PRO Option : Surge counter (SUM)



\*LSCM-D is an option and not provided with ZPAC  
See LSCM-D Installation Sheet for more information

**CITEL**



SAFETY INSTRUCTIONS  
CONSIGNES DE SECURITE  
SICHERHEITSHINWEISE



www.citel.fr  
www.citel.de  
www.citel.us  
www.citel.com.cn  
www.citel.ru  
www.citel.in

### ATTENTION ! GB

- Installation must be performed only by electrically skilled operator.
- National electrical installation rules must be followed.
- The unit must be used only as surge protector and according to the conditions described in this document.
- Surge protectors must be selected in relation with an dedicated AC network (see Table 1)
- Dedicated fuses must be installed in the surge protector branch (see Table 2).
- In case of red indicator, the surge protector must be replaced.

This document could be modified without notice.  
Updated Information on Website.

### ATTENTION ! FR

- L'installation ne doit être effectuée que par un opérateur électricien dûment qualifié.
- Les règles générales d'installation électrique nationales doivent être respectées.
- Le produit est uniquement destiné à un usage parafoudre et doit être utilisé dans les conditions décrites dans ce document.
- Les parafoudres sont utilisés en fonction d'un réseau BT déterminé (voir table 1)
- Des fusibles dédiés doivent être installés dans les branches du parafoudre (voir table 2).
- En cas d'indicateur passant au rouge, le parafoudre doit être remplacé.

Ce document peut être modifié sans préavis.  
Informations à jour sur site web.

### ATTENTION ! DE

- Die Montage und der Anschluss des Gerätes dürfen nur durch eine Elektrofachkraft durchgeführt werden.
- Nationale Installations Vorschriften sind zu beachten.
- Das Gerät ist nur im Rahmen dieser Installationshilfe und seiner technischen Daten zu verwenden.
- Die Ableiter sind nach der Niederspannungsnetzform auszuwählen (siehe Tabelle 1).
- Die Vorsicherungen sind nach der Tabelle 2 zu selektieren und zu installieren.
- Ist die Anzeige im Sichtfenster auf ROT umgeschaltet, so ist das Modul DEFECT und muss ausgetauscht werden.

Änderungen am Dokument ohne Ankündigung möglich.  
Aktuelle Informationen finden Sie auf unserer Webseite.