

## Type 1+2 AC surge protector DS130R series

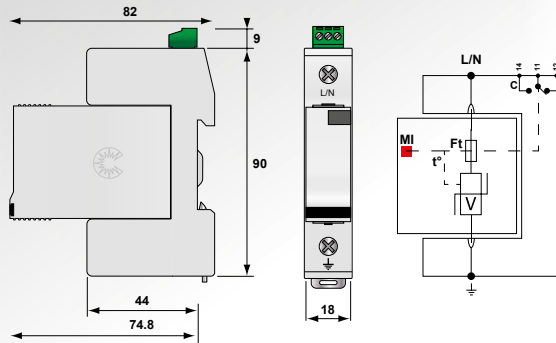


# CITEL

**limp**  
**12.5 kA**



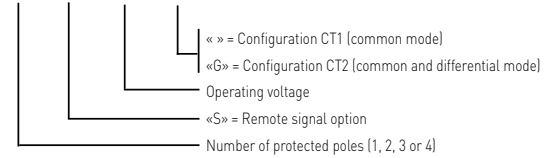
DS131R-400



V : High energy MOV  
Mi : Disconnection indicator  
Ft : Thermal fuse  
t° : Thermal disconnection mechanism  
C : contact for remote signal

- Type 1 + 2 AC power surge protector
- In : 20 kA
- limp : 12,5 kA
- Pluggable module for each phase
- Remote signaling (option)
- EN 61643-11, IEC 61643-11 and UL 1449 ed.4 compliance

### DS13x RS-xxx/G



## Characteristics

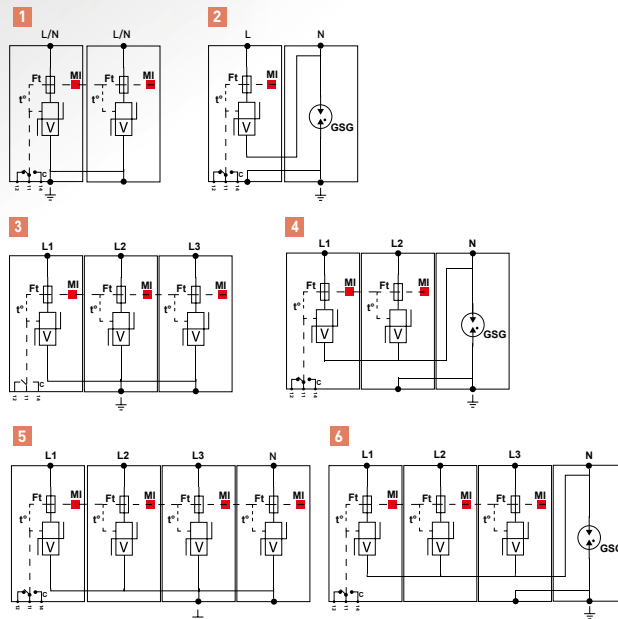
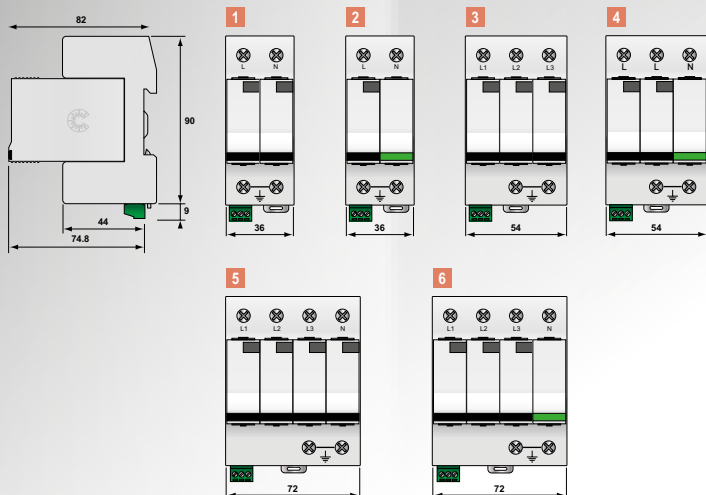
CITEL Model	DS131R-400	DS131R-320	DS131R-280	DS131R-230	DS131R-120
Description	1+2 AC surge protector - 1-pole				
Network	230/400 V	230/400 V	230/400	230/400 V	120/208 V
Max. AC operating voltage	Uc 440 Vac	320 Vac	280 VAC	255 Vac	150 Vac
Temporary Over Voltage (TOV) Characteristics - 5 sec.	UT 580 Vac withstand	335 Vac withstand	335 Vac withstand	335 Vac withstand	180 Vac withstand
Temporary Over Voltage (TOV) Characteristics -120 mn	UT 770 Vac disconnection	440 Vac disconnection	440 Vac disconnection	440 Vac disconnection	230 Vac disconnection
Residual current - Leakage current at Uc	Ipe < 1 mA	< 1 mA	< 1 mA	< 1 mA	< 1 mA
Follow current	If None	None	None	None	None
Nominal discharge current - 15 x 8/20 μs impulses	In 20 kA	20 kA	20 kA	20 kA	20 kA
Max. discharge current -max. withstand @ 8/20 μs by pole	Imax 50 kA	50 kA	50 kA	50 kA	50 kA
Impulse current by pole - max. withstand 10/350μs	limp 12.5 kA	12.5 kA	12.5 kA	12.5 kA	12.5 kA
Specific energy by pole	W/R 40 kJ/ohm	40 kJ/ohm	40 kJ/ohm	40 kJ/ohm	40 kJ/ohm
Protection level	Up 1.7 kV	1.6 kV	1.3 kV	1.3 kV	0.9 kV
Admissible short-circuit current	Iscrr 25000 A	25000 A	25000 A	25000 A	25000 A
<b>Associated disconnectors</b>					
Thermal disconnector	internal				
Fuses	Fuses Type gG - 125 A				
Installation ground fault breaker	Type "S" or delayed				
<b>Mechanical characteristics</b>					
Dimensions	see diagram				
Connection to Network	By screw terminals: 2.5-25 mm <sup>2</sup> / by bus				
Disconnection indicator	1 mechanical indicator				
Remote signaling of disconnection	option DS131RS-400 : output on changeover contact	option DS131RS-320 : output on changeover contact	Option DS131RS-280 : output on changeover contact	option DS131RS-230 : output on changeover contact	option DS131RS-120 : output on changeover contact
Spare unit	DSM130R-400	DSM130R-320	DSM130R-280	DSM130R-230	DSM130R-120
Mounting	Symmetrical rail 35 mm (EN60715)				
Operating temperature	-40/+85°C				
Protection rating	IP20				
Housing material	Thermoplastic UL94-V0				
Standards compliance	IEC 61643-11 / EN 61643-11 / UL1449 ed.4				
Certification	EAC				
<b>Part number</b>	571401	-	571101	571501	571601



## Type 1 + 2 AC Multipolar Surge Protector DS132R, DS133R, DS134R



# CITEL



V : High energy MOV  
 GSG : Specific gas tube  
 Mi : Disconnection indicator  
 Ft : Thermal fuse  
 t<sup>°</sup> : Thermal disconnection mechanism  
 C : contact for remote signal



DS134R-230/G

Model	P/N	Network	AC system	Protection Mode	I <sub>total</sub>	Up L/PE	Up L/N	Up N/PE	Diagram
DS134R-280/G	571124	230/400 V 3-phase+N	TT-TNS	L/N and N/PE	50 kA	-	1.3 kV	1.5 kV	6
DS134R-230/G	571524	230/400 V 3-phase+N	TT-TNS	L/N and N/PE	50 kA	-	1.3 kV	1.5 kV	
DS134R-120/G	571624	120/208 V 3-phase+N	TT-TNS	L/N and N/PE	50 kA	-	0.9 kV	1.5 kV	5
DS134R-400	571404	230/400 V 3 phase+N	IT	L/PE and N/PE	50 kA	1.7 kV	-	1.7 kV	
DS134R-280	571104	230/400 V 3-phase+N	TNS	L/PE and N/PE	50 kA	1.3 kV	-	1.3 kV	
DS134R-230	571504	230/400 V 3-phase+N	TNS	L/PE and N/PE	50 kA	1.3 kV	-	1.3 kV	
DS134R-120	571604	120/208 V 3-phase+N	TNS	L/PE and N/PE	50 kA	0.9 kV	-	0.9 kV	
DS133R-120/G	-	120/208 V 2-phase+N	TNS	L/N and N/PE	50 kA	-	0.9 kV	1.5 kV	
DS133R-400	571403	230/400 V 3-phase	IT	L/PE	37.5 kA	1.7 kV	-	-	3
DS133R-280	571103	230/400 V 3-phase	TNC	L/PE	37.5 kA	1.3 kV	-	-	
DS133R-230	571503	230/400 V 3-phase	TNC	L/PE	37.5 kA	1.3 kV	-	-	
DS133R-120	571603	120/208 V 3-phase	TNC	L/PE	37.5 kA	0.9 kV	-	-	2
DS132R-280/G	571122	230 V single phase	TT-TN	L/PE and N/PE	25 kA	-	1.3 kV	1.5 kV	
DS132R-230/G	571522	230 V single phase	TT-TN	L/N and N/PE	25 kA	-	1.3 kV	1.5 kV	
DS132R-120/G	571622	120 V single phase	TT-TN	L/N and N/PE	25 kA	-	0.9 kV	1.5 kV	1
DS132R-400	571402	230 V single phase	IT	L/PE and N/PE	25 kA	1.7 kV	-	1.7 kV	
DS132R-280	571102	230 V single phase	TN	L/PE and N/PE	25 kA	1.3 kV	-	1.3 kV	
DS132R-230	571502	230 V single phase	TN	L/PE and N/PE	25 kA	1.3 kV	-	1.3 kV	
DS132R-120	571602	120 V single phase	TN	L/PE and N/PE	25 kA	0.9 kV	-	0.9 kV	