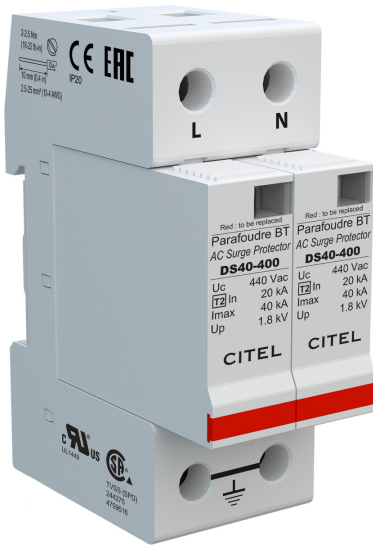




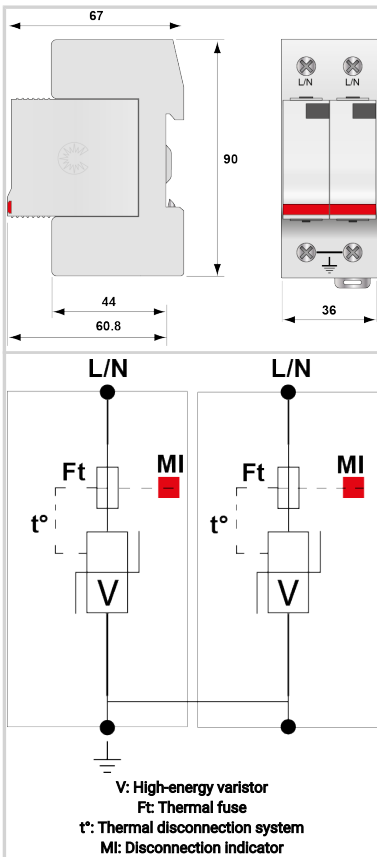
# CITEL

## Type 2 AC surge protector - Single-phase

### DS42-400



- Discover our latest innovation : the [DAC50-20-440](#)
- Type 2 AC Multipolar surge protector
- In : 20 kA
- Imax total : 80 kA
- Pluggable module for each phase
- Remote signaling option
- EN 61643-11, IEC 61643-11 compliance
- UL1449 ed.5 certified



| Electrical Characteristics   |            |  |
|--|------------|--|
| SPD type   | IEC        | 2  |
| Network  |            | 230 V single-phase                                 |
| AC system  |            | IT   |
| Nominal line voltage   | Un         | 400 Vac  |
| Max. AC operating voltage  | Uc         | 440 Vac  |
| Temporary Over Voltage (TOV) Characteristics - 5 sec. Without disconnection                              | UT         | 580 Vac withstand                                  |
| Temporary Over Voltage (TOV) Characteristics - 120 mn Without disconnection or with safety disconnection | UT         | 770 Vac disconnection                              |
| Residual Current Leakage current to Ground   | Ipe        | < 1 mA   |
| Follow current   | If         | None   |
| Nominal discharge current 15 x 8/20 μs impulses  | In         | 20 kA  |
| Max. discharge current max. withstand @ 8/20 μs by pole  | Imax       | 40 kA  |
| Total Maximum discharge current max. total withstand @ 8/20 μs   | Imax Total | 80 kA  |
| Connection mode(s)   |            | L/PE and N/PE                                      |
| Protection mode(s)   |            | Common mode  |
| Residual voltage at 5 kA @ 5 kA (8/20 μs)  | Up-5kA     | 1.3 kV   |
| Protection level L/PE @ In (8/20 μs)   | Up L/PE    | 1.8 kV   |
| Admissible short-circuit current   | Iscsr      | 25 000 A   |
| Mechanical Characteristics   |            |  |
| Technology   |            | MOV  |
| SPD configuration  |            | Single phase                                       |
| Connection to Network  |            | By screw terminals: 2.5-25mm <sup>2</sup> / by bus |
| Format   |            | Plug-in modular box                                |
| Mounting   |            | Symmetrical rail 35 mm (EN 60715)                  |
| Housing material   |            | Thermoplastic UL94 V-0                             |
| Operating temperature  | Tu         | -40/+85°C  |
| Protection rating  |            | IP20   |
| Failsafe mode  |            | Disconnection from AC network                      |
| Disconnection indicator  |            | 1 mechanical indicator by pole                     |
| Spare module(s)  |            | DSM40-400  |
| Remote signaling of disconnection  |            | option DS42S-400 : output on changeover contact    |
| Dimensions   |            | See diagram  |
| Disconnectors  |            |  |
| Thermal disconnector   |            | Internal   |
| Installation ground fault breaker  |            | Type 'S' or delayed                                |
| Back-up protection device  |            | Fuses type gG - 50 A                               |
| Standards  |            |  |
| Standards compliance   |            | IEC 61643-11 / EN 61643-11 / UL1449 ed.5           |
| Certification  |            | CSA / UL   |
| Part number  |            |  |
| <b>461401</b>  |            |  |

