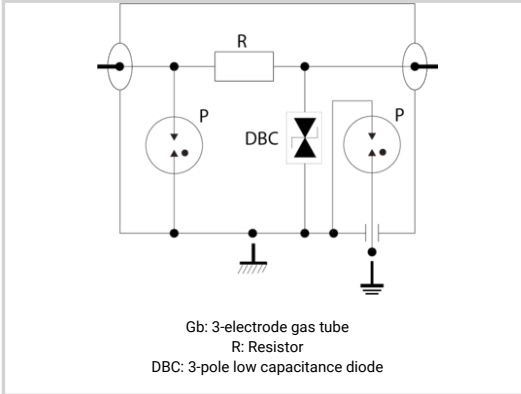




CNP06 F/MF



- Coaxial surge protector
- Multiples connectors
- Low insertion loss
- Easy installation



Electrical Characteristics		
Network		coaxial DC-100 MHz
Nominal line voltage	Un	5 V
Max. DC operating voltage	Uc	10 Vdc
Max. frequency	f max.	DC-100 MHz
Insertion loss		≤ 0.5 dB
Return loss		≥ 20 dB
Impedance		50/75 ohms
VSWR		< 1.3:1
Max. load current @25°C	IL	0.5 A
Max. discharge current max. withstand @ 8/20 μs by pole	Imax	20 kA
Protection mode(s)		Common mode
Protection level @ In (8/20 μs)	Up L/L	20 V
Protection level L/N @ In (8/20 μs)	Up L/N	20 V
Protection level L/PE @ In (8/20 μs)	Up L/PE	20 V
Impulse current 2 x 10/350 μs Test - D1 Category	limp	2.5 kA
Nominal discharge current C2 Category	In	5 kA
Max Power		4 W
DC Pass		No
Mechanical Characteristics		
Technology		GDT+Clamping diode
Connection to Network		Connector F Male/Female
Format		Insulating box
Mounting		On plate
Housing material		Metal+plastic
Operating temperature	Tu	-40/+85°C
Protection rating		IP20
Failsafe mode		Short-circuit - transmission cut-off - fault mode 2
Disconnection indicator		Transmission interrupt
Dimensions		See diagram
Standards		
Standards compliance		IEC 61643-21 / EN 61643-21 / UL497E
Part number		
632601		

