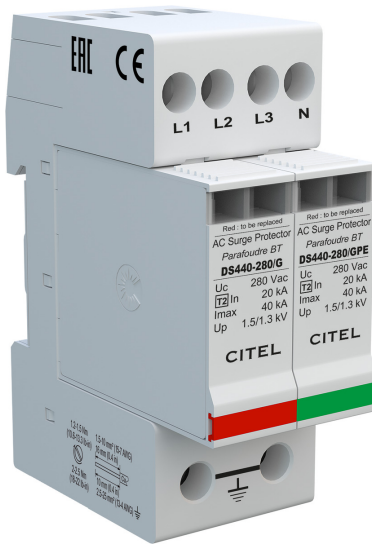


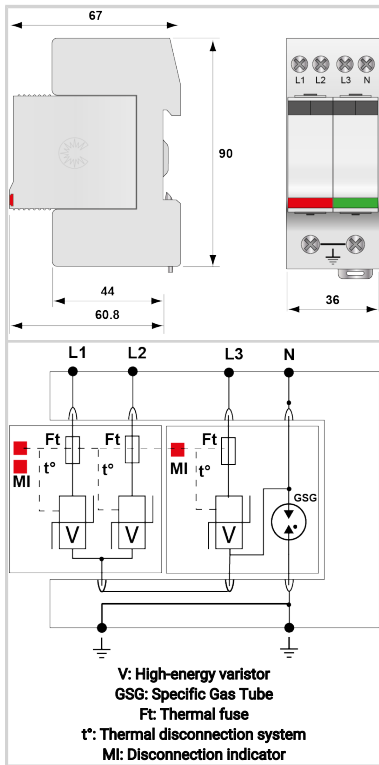


DS440-280/G

CITEL



- › Compact 3-Phase Type 2 surge protector
- › In : 20 kA
- › Imax : 40 kA
- › Common/Differential mode
- › Pluggable module
- › Remote Signaling contact option
- › EN 61643-11, IEC 61643-11, UL1449 ed.5 compliance



**Electrical Characteristics**

SPD type	IEC	2
Network		230/400 V 3-phase
AC system		TT-TN
Nominal line voltage	Un	230 Vac
Max. AC operating voltage	Uc	280 Vac
Temporary Over Voltage (TOV) Characteristics - 5 sec. Without disconnection	UT	335 Vac withstand
Temporary Over Voltage (TOV) Characteristics - 120 mn Without disconnection or with safety disconnection	UT	440 Vac disconnection
Temporary Over Voltage N/PE (TOV HT) Without disconnection or with safety disconnection	UT	1200 V/300A/200 ms withstand
Residual Current Leakage current to Ground	Ipe	None
Follow current	If	None
Nominal discharge current 15 x 8/20 μs impulses	In	20 kA
Max. discharge current max. withstand @ 8/20 μs by pole	Imax	40 kA
Total Maximum discharge current max. total withstand @ 8/20 μs	Imax Total	40 kA
Impulse current N/PE max. withstand 10/350μs	Iimp N /PE	12.5 kA
Connection mode(s)		L/N and N/PE
Protection mode(s)		Common/Differential mode
Residual voltage at 5 kA @ 5 kA (8/20μs)	Up-5kA	1.5/0.9 kV
Protection level N/PE @ In (8/20μs)	Up N/PE	1.5 kV
Protection level CM/DM @ In (8/20μs)	Up mc /md	1.5/1.3 kV
Admissible short-circuit current	Iscrr	10 000 A

**Mechanical Characteristics**

Technology		MOV
SPD configuration		3-phase+Neutral
Connection to Network		By screw terminals: 1.5-10mm <sup>2</sup> (L/N) or 2.5-25mm <sup>2</sup> (PE)
Format		Plug-in modular box
Mounting		Symmetrical rail 35 mm (EN 60715)
Housing material		Thermoplastic UL94 V-0
Operating temperature	Tu	-40/+85°C
Protection rating		IP20
Failsafe mode		Disconnection from AC network
Disconnection indicator		3 mechanical indicators
Spare module(s)		DSM440-280/G and DSM440-280/GPE
Remote signaling of disconnection		Option DS440S-280/G : output on changeover contact
Dimensions		See diagram

**Disconnectors**

Thermal disconnecter		Internal
Installation ground fault breaker		Type 'S' or delayed
Back-up protection device		50 A min. - 125 A max. - Fuses Type gG

**Standards**

Standards compliance		IEC 61643-11 / EN 61643-11 / UL1449 ed.5
Certification		

**Part number**



CITEL

**Compact 3-phase+N Type 2 surge protector - 230/400 V - Pluggable**

**DS440-280/G**

311122

