



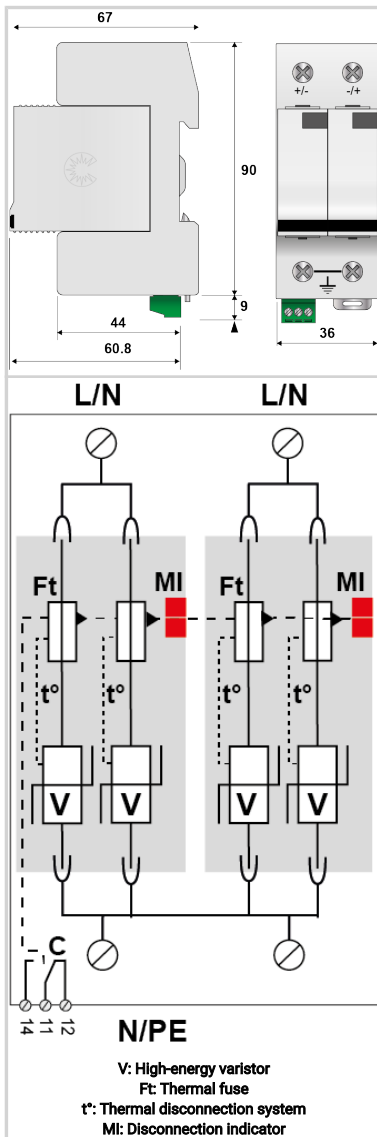
# CITEL

## 1-Pole 48 Vdc surge protector

### DS72RS-48DC



- 2-poles surge protector 48 Vdc
- Type 1 et Type 2
- In 30 kA / I<sub>max</sub> 70 kA
- Remote signaling
- I<sub>imp</sub> 7 kA
- Pluggable Module
- IEC 61643-11 and EN61643-11 compliance
- UL1449 ed.5



| Electrical Characteristics   |                        |  |
|--|------------------------|--|
| SPD type   | IEC                    | 1+2                                      |
| Network  |                        | 48 Vdc                                   |
| Nominal line voltage   | U <sub>n</sub>         | 48 Vdc                                   |
| Nominal DC voltage   | U <sub>n-dc</sub>      | 48 Vdc                                   |
| Max. DC operating voltage  | U <sub>c</sub>         | 65 Vdc                                   |
| Follow current   | I <sub>f</sub>         | None                                     |
| Nominal discharge current<br><i>15 x 8/20 μs impulses</i>                | I <sub>n</sub>         | 30 kA                                    |
| Max. discharge current<br><i>max. withstand @ 8/20 μs by pole</i>        | I <sub>max</sub>       | 70 kA                                    |
| Total Maximum discharge current<br><i>max. total withstand @ 8/20 μs</i> | I <sub>max Total</sub> | 140 kA                                   |
| Impulse current by pole<br><i>max. withstand 10/350 μs by pole</i>       | I <sub>imp</sub>       | 7 kA                                     |
| Total lightning current<br><i>max. total withstand @ 10/350 μs</i>       | I <sub>total</sub>     | 14 kA                                    |
| Connection mode(s)   |                        | + /PE and - /PE                          |
| Protection mode(s)   |                        | Differential/Common mode                 |
| Protection level +/PE (-/PE)<br><i>@ I<sub>n</sub> (8/20 μs)</i>         | U <sub>p</sub>         | 300 V                                    |
| Mechanical Characteristics   |                        |  |
| Technology   |                        | MOV                                      |
| SPD configuration  |                        | 2-poles                                  |
| Connection to Network  |                        | By screw terminals: 4-25mm <sup>2</sup>  |
| Format   |                        | Plug-in modular box                      |
| Mounting   |                        | Symmetrical rail 35 mm (EN 60715)        |
| Housing material   |                        | Thermoplastic UL94 V-0                   |
| Operating temperature  | T <sub>u</sub>         | -40/+85°C                                |
| Protection rating  |                        | IP20                                     |
| Failsafe mode  |                        | Disconnection from DC network            |
| Disconnection indicator  |                        | 1 mechanical indicator by pole           |
| Spare module(s)  |                        | DSM70R-48DC                              |
| Remote signaling of disconnection  |                        | Output on changeover contact             |
| Dimensions   |                        | See diagram                              |
| Disconnectors  |                        |  |
| Thermal disconnector   |                        | Internal                                 |
| Back-up protection device  |                        | 100 A min. - 125 A max. - Fuses type gG  |
| Standards  |                        |  |
| Standards compliance   |                        | IEC 61643-11 / EN 61643-11 / UL1449 ed.5 |
| Certification  |                        | cRUus                                    |
| Environmental standards  |                        | EU RoHS                                  |
| Part number  |                        |  |
| 492121   |                        |  |

