

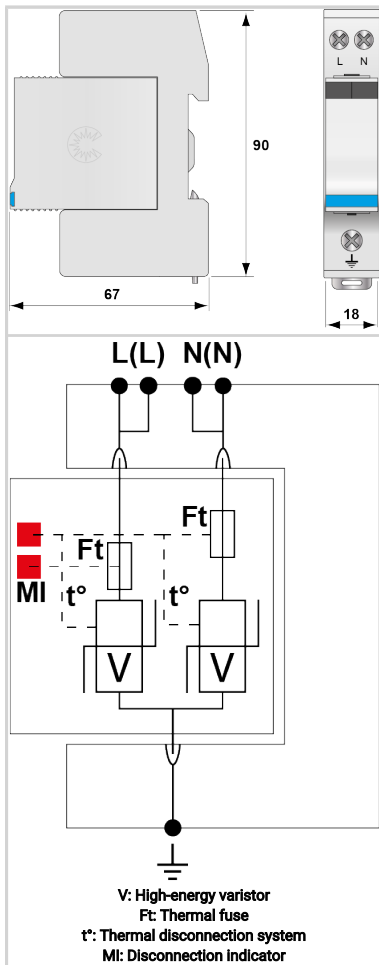


CITEL

DS215-400



- › Discover our latest innovation : the [DAC15C-20-440](#)
- › Compact single-phase type 2 (or 3) surge protector
- › In : 5 kA
- › Imax : 15 kA
- › Common mode
- › Pluggable module
- › Remote signaling option
- › EN 61643-11, IEC 61643-11 compliance
- › UL1449 ed.5



Electrical Characteristics		
SPD type	IEC	2+3
Network		230 V single-phase
AC system		IT
Nominal line voltage	Un	400 Vac
Max. AC operating voltage	Uc	440 Vac
Max. load current		
<i>if series connection</i>	IL	20 A
Temporary Over Voltage (TOV) Characteristics - 5 sec. <i>Without disconnection</i>	UT	580 Vac withstand
Temporary Over Voltage (TOV) Characteristics - 120 mn <i>Without disconnection or with safety disconnection</i>	UT	770 Vac disconnection
Residual Current		
<i>Leakage current to Ground</i>	Ipe	< 0.5 mA
Follow current	If	None
Nominal discharge current	In	5 kA
<i>15 x 8/20 μs impulses</i>		
Max. discharge current		
<i>max. withstand @ 8/20 μs by pole</i>	Imax	15 kA
Withstand on Combination waveform IEC 61643-11		
<i>Class III test: 1.2/50μs - 8/20μs</i>	Uoc	10 kV
Connection mode(s)		L/PE and N/PE
Protection mode(s)		Common mode
Protection level		
<i>@ In (8/20μs)</i>	Up	1.3 kV
Residual voltage at 5 kA		
<i>@ 5 kA (8/20μs)</i>	Up-5kA	1.3 kV
Admissible short-circuit current	Iscrc	10 000 A
Mechanical Characteristics		
Technology		MOV
SPD configuration		Single phase
Connection to Network		By screw terminals: 1.5-10mm ² (L/N) or 2.5-25mm ² (PE)
Format		Plug-in modular box
Mounting		Symmetrical rail 35 mm (EN 60715)
Housing material		Thermoplastic UL94 V-0
Operating temperature	Tu	-40/+85°C
Protection rating		IP20
Failsafe mode		Disconnection from AC network
Disconnection indicator		2 mechanical indicators
Spare module(s)		DSM215-400
Remote signaling of disconnection		Option DS215S-400 : output on changeover contact
Dimensions		See diagram
Disconnectors		
Thermal disconnector		Internal
Installation ground fault breaker		Type 'S' or delayed
Back-up protection device		20 A / 40 A (gL/gG)
Standards		
Standards compliance		IEC 61643-11 / EN 61643-11 / UL1449 ed.5



CITEL

Compact 1-phase Type 2 (or 3) surge protector - 230 V - Pluggable

DS215-400

Certification	cRUus
Part number	451401

