



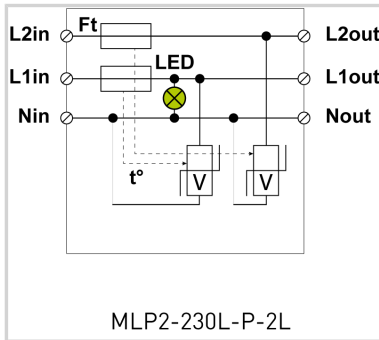
CITEL

MLP2-230L-P-2L



Specially developed spd with combined protection for 2-phase power supply (control phase):

- ▶ Many variants available depending on application
- ▶ With screw terminals or cable wiring
- ▶ IP65 versions
- ▶ For protection class I or II application
- ▶ Developed for Uoc: 10 kV and I_{max}: 10 kA for highest outdoor requirements according to IEEE & ANSI
- ▶ Optical error signalling



Electrical Characteristics			
SPD type	IEC	2+3	
AC system		TT-TN	
Nominal line voltage	Un	230-277 Vac	
Max. AC operating voltage	Uc	305 Vac	
Max. frequency	f max.	10 MHz	
Max. load current @25°C	IL	2.5 A	
Temporary Over Voltage (TOV) Characteristics - 5 sec. Without disconnection	UT	335 Vac withstand	
Temporary Over Voltage (TOV) Characteristics - 120 mn Without disconnection or with safety disconnection	UT	440 Vac disconnection	
Residual Current Leakage current to Ground	I _{pe}	None	
Follow current	I _f	None	
Nominal discharge current 15 x 8/20 μs impulses	I _n	5 kA	
Max. discharge current max. withstand @ 8/20 μs by pole	I _{max}	10 kA	
Total Maximum discharge current max. total withstand @ 8/20 μs	I _{max} Total	20 kA	
Withstand on Combination waveform IEC 61643-11 Class III test: 1.2/50μs - 8/20μs	Uoc	10 kV / 5 kA	
Withstand on overvoltages IEEE C62.41.1		10 kV / 10 kA	
Protection mode(s)		Common/Differential mode	
Protection level CM/DM @ I _n (8/20μs)	U _{p mc /md}	1.5/1.5 kV	
Admissible short-circuit current	I _{sc cr}	10 000 A	
Mechanical Characteristics			
Mounting		Wall or plate	
Housing material		Thermoplastic UL94 V-0	
Operating temperature	T _u	-40/+85°C	
Dimensions		See diagram	
Disconnectors			
Thermal disconnector		Internal	
Installation ground fault breaker		Type 'S' or delayed	
Standards			
Standards compliance		IEC 61643-11 / EN 61643-11 / UL1449 ed.5	
Part number			
741212			

