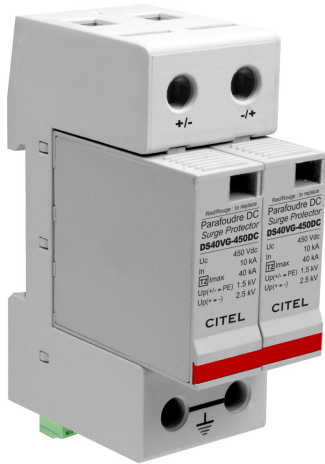




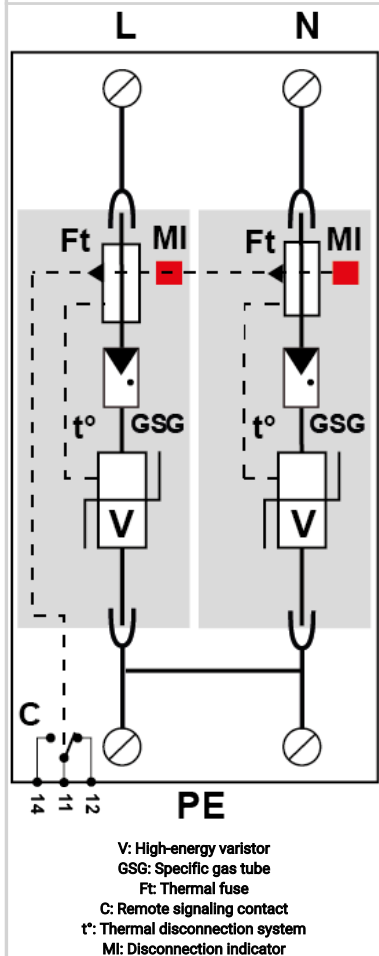
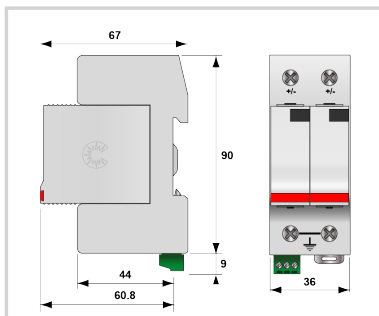
# CITEL



## 2-Pole 450 Vdc surge protector

### DS42VGS-450DC

- Type 2 SPD for DC power
- VG technology
- In 10 kA / I<sub>max</sub> 40 kA
- Pluggable module
- Leakage and operating currents : none
- No ageing
- Remote signaling status
- Conforme prIEC 61643-41 and UL1449 ed.5
- Certified EN 61643-31 / IEC 61643-31



Electrical Characteristics		
SPD type	IEC	2
Network		400 Vdc
Nominal PV voltage	Uocstc	350 Vdc
Max. PV operating voltage	Ucpv	450 Vdc
Max. DC operating voltage	Uc	450 Vdc
PV Permanent Operating current	Icpv	None
Current consumption at Ucpv		
Follow current	If	None
Nominal discharge current 15 x 8/20 μs impulses	In	10 kA
Max. discharge current max. withstand @ 8/20 μs by pole	I <sub>max</sub>	40 kA
Current withstand short circuit PV	Iscpv	1000 A
Connection mode(s)		+/-PE and -/PE
Protection mode(s)		Common mode
Protection level +/- @ In (8/20μs)	Up	2.5 kV
Protection level +/-PE (-/PE) @ In (8/20μs)	Up	1.5 kV
Mechanical Characteristics		
Technology		VG Technology (MOV+GSG)
SPD configuration		2-poles
Connection to Network		By screw terminals: 2.5-25mm <sup>2</sup> / by bus
Format		Plug-in modular box
Mounting		Symmetrical rail 35 mm (EN 60715)
Housing material		Thermoplastic UL94 V-0
Operating temperature	Tu	-40/+58°C
Protection rating		IP20
Failsafe mode		Disconnection from DC network
Disconnection indicator		1 mechanical indicator by pole
Spare module(s)		DSM40VG-450DC
Remote signaling of disconnection		Output on changeover contact
Dimensions		See diagram
Disconnectors		
Thermal disconnector		Internal
Back-up protection device		Fuses type gG - 50 A
Standards		
Standards compliance		IEC 61643-31 / EN 61643-31 / prIEC 61643-41 and UL1449 ed.5
Certification		KEMA
Part number		
<b>46287132</b>		

