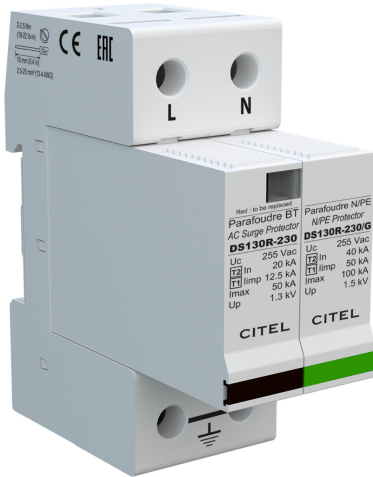




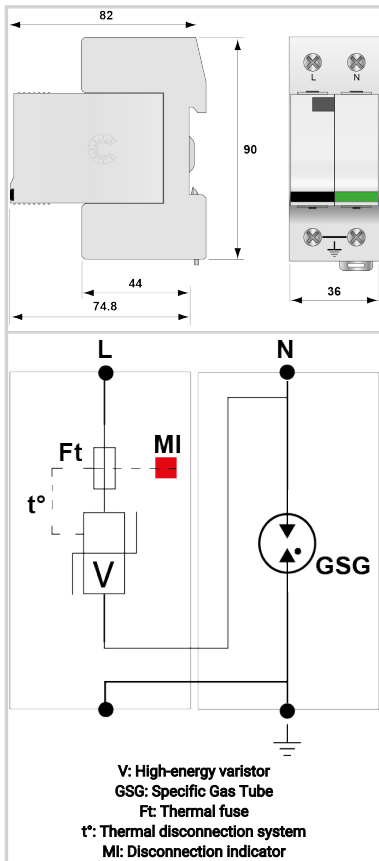
CITEL

Type 1+2 AC surge protector single-phase

DS132R-230/G



- › Discover our latest innovation : the [DAC1-13-11-275](#)
- › Type 1 + 2 AC multipolar surge protector
- › In : 20 kA
- › Iimp total : 25 kA
- › Pluggable module for each phase
- › Remote signaling (option)
- › EN 61643-11, IEC 61643-11 compliance



Electrical Characteristics

| | | |
|--|--------------------|------------------------------|
| SPD type | IEC | 1+2 |
| Network | | 230 V single-phase |
| AC system | | TT-TN |
| Nominal line voltage | Un | 230 Vac |
| Max. AC operating voltage | Uc | 255 Vac |
| Temporary Over Voltage (TOV) Characteristics - 5 sec. Without disconnection | UT | 335 Vac withstand |
| Temporary Over Voltage (TOV) Characteristics - 120 mn Without disconnection or with safety disconnection | UT | 440 Vac disconnection |
| Temporary Over Voltage N/PE (TOV HT) Without disconnection or with safety disconnection | UT | 1200 V/300A/200 ms withstand |
| Follow current | If | None |
| Nominal discharge current 15 x 8/20 μs impulses | In | 20 kA |
| Max. discharge current max. withstand @ 8/20 μs by pole | I _{max} | 50 kA |
| Impulse current by pole max. withstand 10/350 μs by pole | I _{imp} | 12.5 kA |
| Total lightning current max. total withstand @ 10/350 μs | I _{total} | 25 kA |
| Withstand on overvoltages IEEE C62.41.1 | | 20 kV |
| Specific energy by pole max. withstand 10/350 μs | W/R | 40 kJ/ohm |
| Connection mode(s) | | L/N and N/PE |
| Protection mode(s) | | Common/Differential mode |
| Protection level L/N @ In (8/20 μs) | Up L/N | 1.3 kV |
| Protection level N/PE @ In (8/20 μs) | Up N/PE | 1.5 kV |
| Admissible short-circuit current | I _{sc} | 25 000 A |

Mechanical Characteristics

| | | |
|-----------------------------------|----|---|
| Technology | | MOV |
| SPD configuration | | Single phase |
| Connection to Network | | By screw terminals: 2.5-25mm ² / by bus |
| Format | | Plug-in modular box |
| Mounting | | Symmetrical rail 35 mm (EN 60715) |
| Housing material | | Thermoplastic UL94 V-0 |
| Operating temperature | Tu | -40/+85°C |
| Protection rating | | IP20 |
| Failsafe mode | | Disconnection from AC network |
| Disconnection indicator | | 1 mechanical indicator by pole |
| Spare module(s) | | DSM130R-230 + DSM130R-230/G |
| Remote signaling of disconnection | | option DS132RS-230/G : output on changeover contact |
| Dimensions | | See diagram |

Disconnectors

| | | |
|-----------------------------------|--|-----------------------|
| Thermal disconnector | | Internal |
| Installation ground fault breaker | | Type 'S' or delayed |
| Back-up protection device | | Fuses Type gG - 125 A |

Standards

| | | |
|----------------------|--|--|
| Standards compliance | | IEC 61643-11 / EN 61643-11 / UL1449 ed.5 |
| Certification | | |

Part number

571522

