



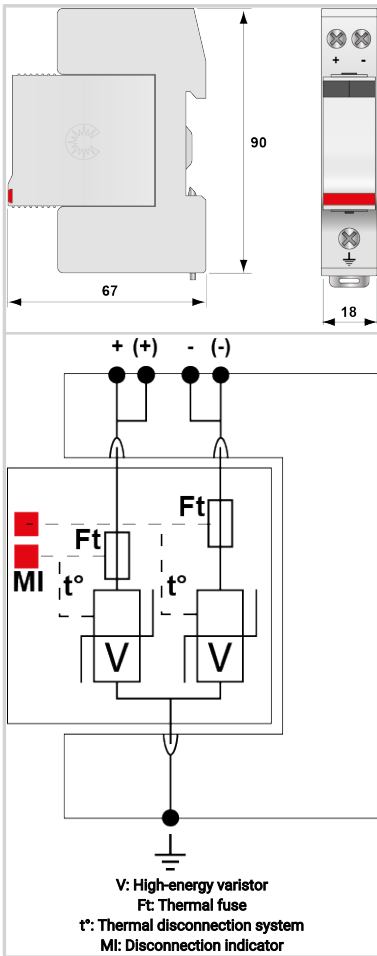
CITEL



DC power surge protector - 280 Vdc

DS240-280DC

- Discover our latest innovation : the [DDC40C-20-350](#)
- DC or PV power surge protector
- 280 Vdc
- Compact design
- Imax: 40 kA
- Pluggable module
- Remote signaling (option)
- Very low Up protection level



Electrical Characteristics		
SPD type	IEC	2
Network		DC or PV network 280Vdc
Nominal DC voltage	Un-dc	280 Vdc
Nominal PV voltage	Uocstc	280 Vdc
Max. AC operating voltage	Uc	275 Vac
Max. PV operating voltage	Ucpv	350 Vdc
Max. DC operating voltage	Uc	350 Vdc
Max. load current @25°C	IL	50 A
Residual Current	lpe	< 0.2 mA
Leakage current to Ground		
PV Permanent Operating current	Icpv	< 0.1 mA
Current consumption at Ucpv		
Follow current	If	None
Nominal discharge current	In	20 kA
15 x 8/20 μs impulses		
Max. discharge current	Imax	40 kA
max. withstand @ 8/20 μs by pole		
Total Maximum discharge current	Imax Total	80 kA
max. total withstand @ 8/20 μs		
Current withstand short circuit PV	Iscpv	1000 A
Connection mode(s)		+/-/PE
Protection mode(s)		Common mode
Protection level +/-PE (-/PE) @ In (8/20μs)	Up	1200 V
Mechanical Characteristics		
Technology		MOV
SPD configuration		2-poles
Connection to Network		By screw terminals: 1.5-10mm ² (actives wires) and 2.5-25mm ² (ground)
Format		Plug-in modular box
Mounting		Symmetrical rail 35 mm (EN 60715)
Housing material		Thermoplastic UL94 V-0
Operating temperature	Tu	-40/+85°C
Protection rating		IP20
Failsafe mode		Disconnection from DC network
Disconnection indicator		2 mechanical indicators
Spare module(s)		DSM240-280DC
Remote signaling of disconnection		Option DS240S-280DC : output on changeover contact
Dimensions		See diagram
Disconnectors		
Thermal disconnector		Internal
Back-up protection device		Fuses type gG - 20A
Standards		
Standards compliance		IEC 61643-11 / EN 61643-11 / UL1449 ed.5
Certification		UL Recognized
Part number		
310501		

