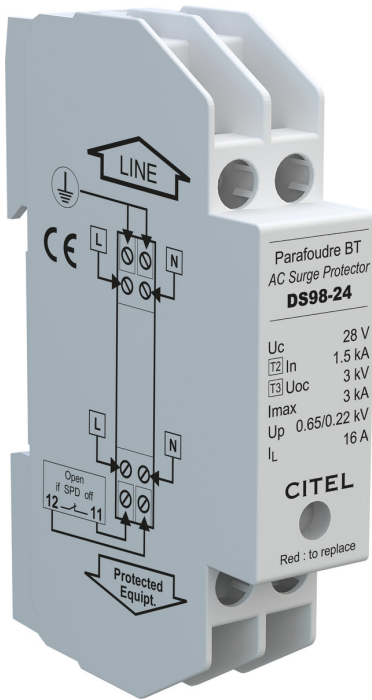


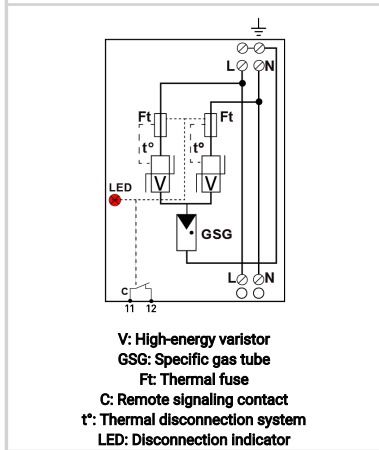
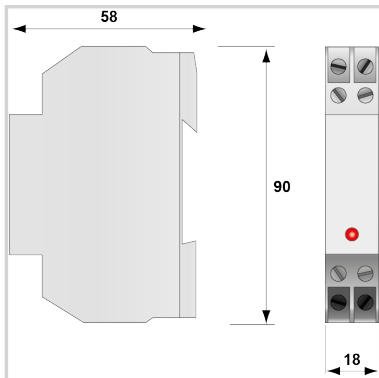


CITEL

DS98-24



- ▶ Discover our latest innovation : the [DDCN03S-21YG-30](#)
- ▶ Compact single-phase surge protector type 2 (or 3)
- ▶ Safety disconnection in-line
- ▶ Double connection in series
- ▶ Remote signaling
- ▶ Common and differential mode
- ▶ Monobloc and economic



| Electrical Characteristics | | |
|---|---------|---|
| SPD type | IEC | 2+3 |
| Network | | 24 V single-phase |
| Nominal line voltage | Un | 24 Vac |
| Max. AC operating voltage | Uc | 28 Vac |
| Max. load current @25°C | IL | 16 A |
| Residual Current Leakage current to Ground | Ipe | None |
| Follow current | If | None |
| Nominal discharge current 15 x 8/20 µs impulses | In | 1.5 kA |
| Max. discharge current max. withstand @ 8/20 µs by pole | Imax | 3 kA |
| Withstand on Combination waveform IEC 61643-11 Class III test: 1.2/50µs - 8/20µs | Uoc | 3 kV |
| Withstand on overvoltages IEEE C62.41.1 | | 3 kV |
| Protection mode(s) | | Common/Differential mode |
| Protection level L/N @ In (8/20µs) | Up L/N | 220 V |
| Protection level N/PE @ In (8/20µs) | Up N/PE | 650 V |
| Admissible short-circuit current | Iscrr | 10 000 A |
| Mechanical Characteristics | | |
| SPD configuration | | Single phase |
| Connection to Network | | By screw terminals: 2.5mm ² max. |
| Format | | Monobloc modular box |
| Mounting | | Symmetrical rail 35 mm (EN 60715) |
| Housing material | | Thermoplastic UL94 V-0 |
| Operating temperature | Tu | -40/+85°C |
| Protection rating | | IP20 |
| Failsafe mode | | Disconnection from AC network |
| Disconnection indicator | | Red light on |
| Remote signaling of disconnection | | Contact NF open |
| Dimensions | | See diagram |
| Disconnectors | | |
| Thermal disconnector | | Internal |
| Installation ground fault breaker | | Type 'S' or delayed |
| Back-up protection device | | Fuses type gG - 20A |
| Standards | | |
| Standards compliance | | IEC 61643-11 / EN 61643-11 / UL1449 ed.5 |
| Certification | | |
| Part number | | |
| 350904 | | |

