



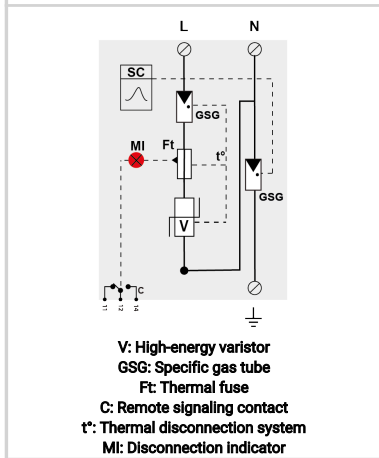
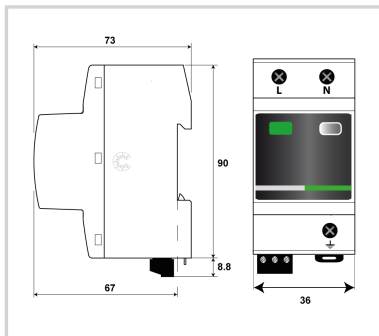
# CITEL

## Type 1+2+3 AC surge protector - Single Phase - With Surge Counter integrated

### DACN1-25CVGS-11-385/SC



- Type 1 + 2+3 AC surge protector
- VG Technology
- Iimp: 25 kA on 10/350µs impulse
- In: 25 kA
- Optimized to TOV
- No leakage current
- Monobloc
- Remote signaling
- EN 61643-11, IEC 61643-11 Certified



#### Electrical Characteristics

SPD type	IEC	1+2+3
Network		230 V single-phase
AC system		TT-TN
Max. AC operating voltage	Uc	385 Vac
Temporary Over Voltage (TOV) Characteristics - 5 sec. Without disconnection	UT	500 Vac withstand
Temporary Over Voltage (TOV) Characteristics - 120 mn Without disconnection or with safety disconnection	UT	650 Vac disconnection
Temporary Over Voltage N/PE (TOV HT) Without disconnection or with safety disconnection	UT	1200 V/300A/200 ms withstand
Residual Current Leakage current to Ground	Ipe	None
Follow current	If	None
Nominal discharge current 15 x 8/20 µs impulses	In	25 kA
Max. discharge current max. withstand @ 8/20 µs by pole	Imax	100 kA
Impulse current by pole max. withstand 10/350µs by pole	Iimp	25 kA
Total lightning current max. total withstand @ 10/350µs	Itotal	50 kA
Withstand on Combination waveform IEC 61643-11 Class III test: 1.2/50µs - 8/20µs	Uoc	6 kV
Protection level L/N @ In (8/20µs)	Up L/N	1.5 kV
Protection level N/PE @ In (8/20µs)	Up N/PE	1.5 kV
Minimum current sensibility	Itc	100 A
Admissible short-circuit current	Iscrr	50 000 A

#### Mechanical Characteristics

Technology		VG Technology (MOV+GSG)
SPD configuration		Single phase
Connection to Network		By screw terminals: 2.5-25mm <sup>2</sup> (35mm <sup>2</sup> rigid)
Format		Monobloc modular box
Mounting		Symmetrical rail 35 mm (EN 60715)
Housing material		Thermoplastic UL94 V-0
Operating temperature	Tu	-40/+85°C
Protection rating		IP20
Failsafe mode		Disconnection from AC network
Disconnection indicator		1 mechanical indicator - Red/Green
Remote signaling of disconnection		Output on changeover contact
Wiring for remote signaling		1.5 mm <sup>2</sup> max.
Max. Voltage/Current for remote signaling		250 V / 0.5 A (AC) / 30 V / 3 A (DC)

#### Disconnectors

Thermal disconnector		Internal
Installation ground fault breaker		Type 'S' or delayed
Back-up protection device		315 A max. - Fuses Type gG / or SFD1-25S

#### Standards

Standards compliance		EN 61643-11 / IEC 61643-11
Certification		KEMA

#### Part number

**64193**

