



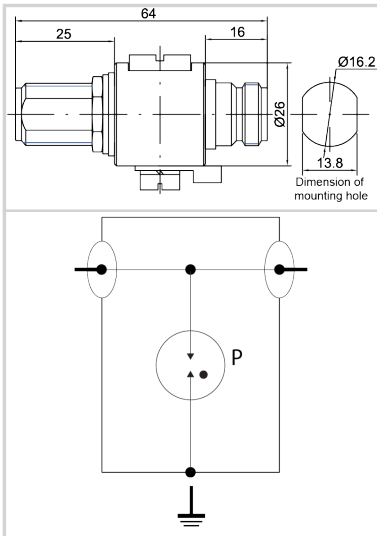
CITEL

Coaxial surge protector DC-3.5 GHz

P8AX09-N/FF/HE



- RF coaxial surge protector
- Harsh environment (HE)
- 3.5 GHz
- Connectors : N
- Low insertion loss
- Removale GDT
- DC-pass
- Bi-directional protection



Electrical Characteristics

| | | |
|---|------------------|-------------|
| Max. DC operating voltage | Uc | 72 Vdc |
| Frequency range | f | DC-3.5 GHz |
| Insertion loss | | < 0.2 dB |
| Return loss | | > 20 dB |
| Impedance | | 50 ohms |
| VSWR | | <1.2:1 |
| Max. load current @25°C | IL | 10 A |
| Residual Current | | |
| Leakage current to Ground | Ipe | None |
| Max. discharge current max. withstand @ 8/20 µs by pole | I _{max} | 20 kA |
| Nominal discharge current C2 Category | I _n | 5 kA |
| Protection mode(s) | | Common mode |
| Protection level @1kV/µs (C3) | U _p | < 650 V |
| Impulse current 2 x 10/350µs Test - D1 Category | I _{imp} | 1 kA |
| Max Power | | 25 W |
| Typical let through energy (50 ohms) input 4kV 1.2/50µs - 2kA 8/20µs | | 300 µJ |
| DC Pass | | Yes |
| Insulation resistance | IR | ≥10 GOhms |

Mechanical Characteristics

| | | |
|-------------------------|----|-------------------------------|
| Technology | | Gas discharge tube |
| Connection to Network | | Connector N Female/Female |
| Mounting | | Bulkhead or Bracket |
| Housing material | | Brass/Surface plating: Sn Ni |
| Operating temperature | Tu | -40/+85°C |
| Protection rating | | IP66 |
| Failsafe mode | | Short-circuit |
| Disconnection indicator | | Transmission interrupt |
| Spare module(s) | | BBHF-90V |
| Dimensions | | See diagram |
| Contacts | | Bronze/Surface Gold or Silver |

Standards

| | | |
|-------------------------|--|-------------------------------------|
| Standards compliance | | IEC 61643-21 / EN 61643-21 / UL497E |
| Environmental standards | | EU RoHS |
| RohS compliance | | Yes |

Part number

600114

