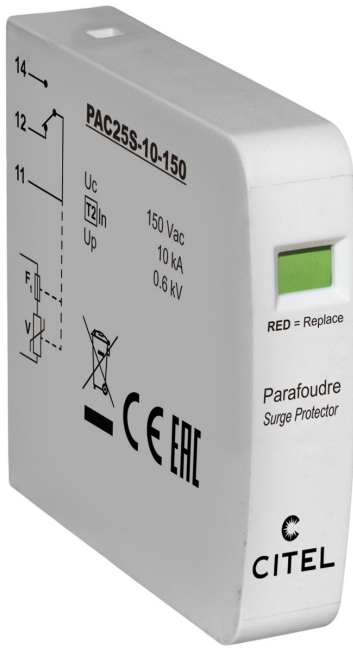




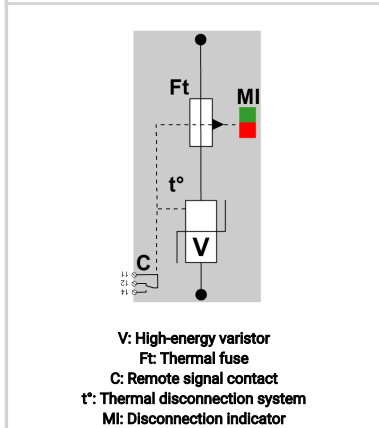
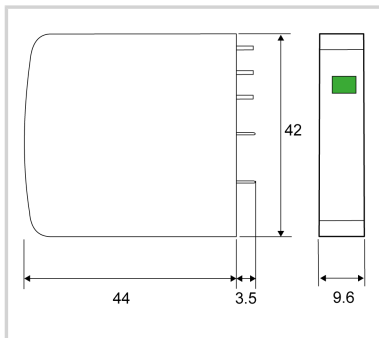
# CITEL

## Type 2 AC Surge Protector for PCB mounting

### PAC25S-10-150



- Type 2 AC surge protector
- PCB mounting
- I<sub>max</sub>: 25 kA
- Remote signaling
- EN 50539-11 and IEC 61643-31 compliance\*



#### Electrical Characteristics

SPD type	IEC	2
Max. AC operating voltage	U <sub>c</sub>	150 Vac
Nominal discharge current <i>15 x 8/20 μs impulses</i>	I <sub>n</sub>	10 kA
Max. discharge current <i>max. withstand @ 8/20 μs by pole</i>	I <sub>max</sub>	25 kA
Protection level <i>@ I<sub>n</sub> (8/20 μs)</i>	U <sub>p</sub>	0.6 kV
Admissible short-circuit current	I <sub>sc</sub>	25 000 A

#### Mechanical Characteristics

Connection to Network		Through soldering pins
Mounting		On Printed Circuit Board
Housing material		Thermoplastic UL94 V-0
Operating temperature	T <sub>u</sub>	-40/+85°C
Protection rating		IP20
Disconnection indicator		1 mechanical indicator
Remote signaling of disconnection		Output on changeover contact
Dimensions		9.6 mm

#### Disconnectors

Thermal disconnector		Internal
----------------------	--	----------

#### Standards

Standards compliance		EN 61643-11 / IEC 61643-11 *The standard cover devices. PPV /PAC series are components. Compliant when combined is an assembly.
----------------------	--	---

#### Part number

8711211

