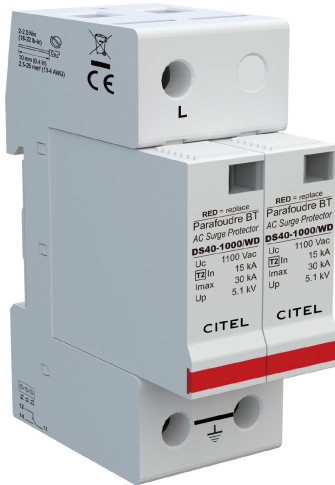




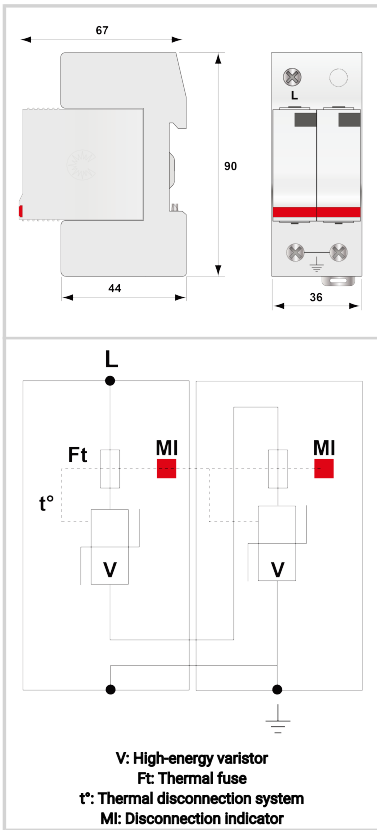
# CITEL



## Type 2 AC surge protector - 1-pole - pluggable

### DS41-1000/WD

- Type 2 AC surge protector
- In : 15 kA
- I<sub>max</sub> : 30 kA
- Pluggable module for each phase
- Remote signaling option
- NF EN 61643-11, IEC 61643-11 compliance



#### Electrical Characteristics

SPD type	IEC	2
Network		1000 Vac
Nominal line voltage	U <sub>n</sub>	1000 Vac
Max. AC operating voltage	U <sub>c</sub>	1100 Vac
Temporary Over Voltage (TOV) Characteristics - 5 sec. <i>Without disconnection</i>	UT	1450 Vac withstand
Temporary Over Voltage (TOV) Characteristics - 120 mn <i>Without disconnection or with safety disconnection</i>	UT	1900 Vac disconnection
Residual Current <i>Leakage current to Ground</i>	I <sub>pe</sub>	< 0.5 mA
Follow current	I <sub>f</sub>	None
Nominal discharge current <i>15 x 8/20 μs impulses</i>	I <sub>n</sub>	15 kA
Max. discharge current <i>max. withstand @ 8/20 μs by pole</i>	I <sub>max</sub>	30 kA
Connection mode(s)		L/PE
Protection mode(s)		Common mode
Protection level <i>@ I<sub>n</sub> (8/20μs)</i>	U <sub>p</sub>	5.1 kV
Admissible short-circuit current	I <sub>sc</sub>	25 000 A

#### Mechanical Characteristics

Technology		MOV
SPD configuration		Single phase
Connection to Network		By screw terminals: 2.5-25mm <sup>2</sup> / by bus
Format		Plug-in modular box
Mounting		Symmetrical rail 35 mm (EN 60715)
Housing material		Thermoplastic UL94 V-0
Operating temperature	T <sub>u</sub>	-40/+85°C
Protection rating		IP20
Failsafe mode		Disconnection from AC network
Disconnection indicator		1 mechanical indicator
Spare module(s)		DSM40-1000/WD
Remote signaling of disconnection		option DS41S-1000/WD : output on changeover contact
Dimensions		See diagram

#### Disconnectors

Thermal disconnector		Internal
Installation ground fault breaker		Type 'S' or delayed
Back-up protection device		Fuses type gG - 50 A

#### Standards

Standards compliance		IEC 61643-11 / EN 61643-11
Certification		

#### Part number

**4629012125**

