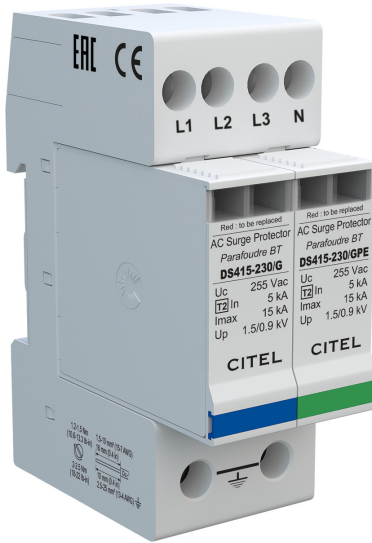




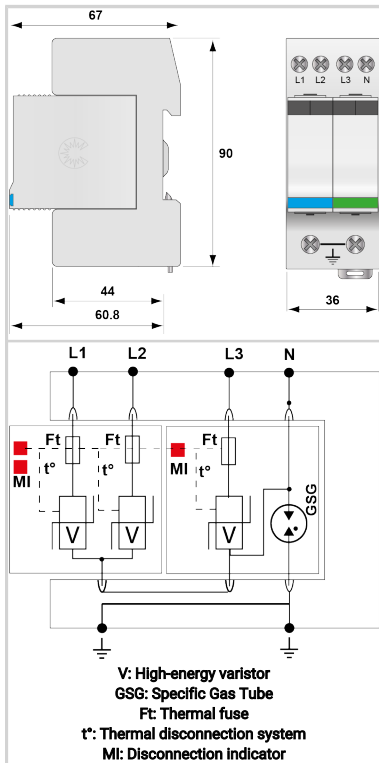
CITEL

Compact 3-phase+N Type 2 surge protector - 230/400 V - Pluggable

DS415-230/G



- ▶ Discover our latest innovation : the [DAC15C-31-275](#)
- ▶ Compact 3-phase+N type 2 (or 3) surge protector
- ▶ In : 5 kA
- ▶ Imax : 15 kA
- ▶ Common/Differential mode
- ▶ Pluggable module
- ▶ Remote signaling option
- ▶ EN 61643-11, CEI 61643-11, UL1449 ed.5 compliance



Electrical Characteristics		
SPD type	IEC	2+3
Network		230/400 V 3-phase
AC system		TT-TN
Nominal line voltage	Un	230 Vac
Max. AC operating voltage	Uc	255 Vac
Temporary Over Voltage (TOV) Characteristics - 5 sec. <i>Without disconnection</i>	UT	335 Vac withstand
Temporary Over Voltage (TOV) Characteristics - 120 mn <i>Without disconnection or with safety disconnection</i>	UT	440 Vac disconnection
Temporary Over Voltage N/PE (TOV HT) <i>Without disconnection or with safety disconnection</i>	UT	1200 V/300A/200 ms withstand
Residual Current <i>Leakage current to Ground</i>	Ipe	None
Follow current	If	None
Nominal discharge current <i>15 x 8/20 μs impulses</i>	In	5 kA
Max. discharge current <i>max. withstand @ 8/20 μs by pole</i>	Imax	15 kA
Total Maximum discharge current <i>max. total withstand @ 8/20 μs</i>	Imax Total	15 kA
Withstand on Combination waveform IEC 61643-11 <i>Class III test: 1.2/50μs - 8/20μs</i>	Uoc	10 kV
Withstand on overvoltages IEEE C62.41.1		10 kV
Connection mode(s)		L/N and N/PE
Protection mode(s)		Common/Differential mode
Residual voltage at 5 kA <i>@ 5 kA (8/20μs)</i>	Up-5kA	1.5/0.9 kV
Protection level L/N <i>@ In (8/20μs)</i>	Up L/N	0.9 kV
Protection level N/PE <i>@ In (8/20μs)</i>	Up N/PE	1.5 kV
Protection level CM/DM <i>@ In (8/20μs)</i>	Up mc /md	1.5/0.9 kV
Admissible short-circuit current	Iscsr	10 000 A
Mechanical Characteristics		
Technology		MOV
SPD configuration		3-phase+Neutral
Connection to Network		By screw terminals: 1.5-10mm ² (L/N) or 2.5-25mm ² (PE)
Format		Plug-in modular box
Mounting		Symmetrical rail 35 mm (EN 60715)
Housing material		Thermoplastic UL94 V-0
Operating temperature	Tu	-40/+85°C
Protection rating		IP20
Failsafe mode		Disconnection from AC network
Disconnection indicator		3 mechanical indicators
Spare module(s)		DSM415-230/G + DSM415-230/GPE
Remote signaling of disconnection		Option DS415S-230/G : output on changeover contact
Dimensions		See diagram
Disconnectors		
Thermal disconnector		Internal
Installation ground fault breaker		Type 'S' or delayed
Back-up protection device		20 A / 40 A (gL/gG)
Standards		



CITEL

Compact 3-phase+N Type 2 surge protector - 230/400 V - Pluggable

DS415-230/G

Standards compliance	IEC 61643-11 / EN 61643-11 / UL1449 ed.5
Part number	
451722	

