



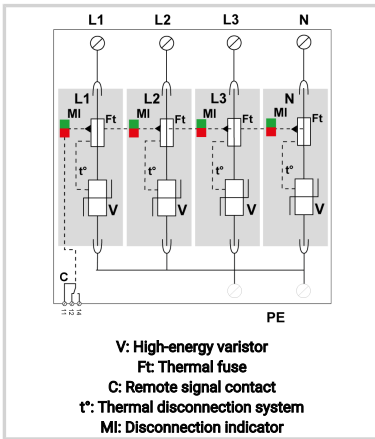
# CITEL

## Type 2 AC surge protector - Re-inforced - pluggable

### DAC80S-40-385



- Re-inforced Type 2 AC surge protector
- In: 40 kA
- I<sub>max</sub>: 80 kA
- Pluggable module for each phase
- Remote signaling
- EN 61643-11, IEC 61643-11 certified
- UL1449 ed.5 compliance



#### Electrical Characteristics

SPD type	IEC	2
Network		230/400 V 3-phase+N
AC system		TNS
Max. AC operating voltage	U <sub>c</sub>	385 Vac
Temporary Over Voltage (TOV) Characteristics - 5 sec. Without disconnection	UT	500 Vac withstand
Temporary Over Voltage (TOV) Characteristics - 120 mn Without disconnection or with safety disconnection	UT	650 Vac disconnection
Residual Current Leakage current to Ground	I <sub>pe</sub>	< 1 mA
Follow current	I <sub>f</sub>	None
Nominal discharge current 15 x 8/20 μs impulses	I <sub>n</sub>	40 kA
Max. discharge current max. withstand @ 8/20 μs by pole	I <sub>max</sub>	80 kA
Protection mode(s)		L/PE and N/PE
Protection level N/PE @ I <sub>n</sub> (8/20 μs)	Up N/PE	1.8 kV
Protection level L/PE @ I <sub>n</sub> (8/20 μs)	Up L/PE	1.8 kV
Admissible short-circuit current	I <sub>sc cr</sub>	50 000 A

#### Mechanical Characteristics

Technology		MOV
Connection to Network		By screw terminals: 2.5-25mm <sup>2</sup> (35mm <sup>2</sup> rigid)
Format		Plug-in modular box
Mounting		Symmetrical rail 35 mm (EN 60715)
Housing material		Thermoplastic UL94 V-0
Operating temperature	T <sub>u</sub>	-40/+85°C
Protection rating		IP20
Failsafe mode		Disconnection from AC network
Disconnection indicator		1 mechanical indicator by pole - Red/Green
Spare module(s)		MDAC80-385
Remote signaling of disconnection		Output on changeover contact
Max. Voltage/Current for remote signaling		250 V / 0.5 A (AC) / 30 V / 3 A (DC)
Dimensions		See diagram - 4TE (EN43880)

#### Disconnectors

Thermal disconnector		Internal
Installation ground fault breaker		Type 'S' or delayed
Back-up protection device		Fuses Type gG - 125 A

#### Standards

Standards compliance		IEC 61643-11 / EN 61643-11 / UL1449 ed.5
Certification		KEMA

#### Part number

**821210524**

