

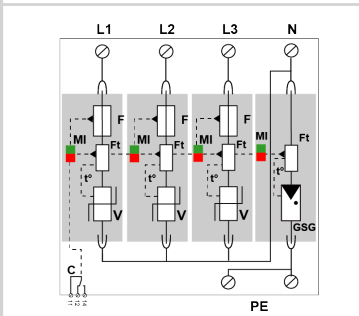
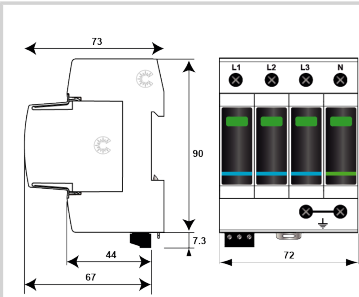


CITEL

DACF15S-31-275



- ▶ Type 2 (or 3) AC surge protector
- ▶ Internal Disconnection device
- ▶ Low fuse rating of the internal connector = systematic coordination with upstream circuit breaker
- ▶ In: 5 kA
- ▶ Imax: 15 kA
- ▶ Pluggable module for each phase
- ▶ Remote signaling
- ▶ EN 61643-11, IEC 61643-11, UL1449 ed.5 compliance



V: High-energy varistor
GSG: Specific gas tube
F: Fuse
Ft: Thermal fuse
t*: Thermal disconnection system
MI: Disconnection indicator
C: Remote signal contact

| Electrical Characteristics | | |
|--|---------|---|
| SPD type | IEC | 2+3 |
| Network | | 230/400 V 3-phase+N |
| AC system | | TT-TNS |
| Max. AC operating voltage | Uc | 275 Vac |
| Temporary Over Voltage (TOV) Characteristics - 5 sec. Without disconnection | UT | 335 Vac withstand |
| Temporary Over Voltage (TOV) Characteristics - 120 mn Without disconnection or with safety disconnection | UT | 440 Vac disconnection |
| Temporary Over Voltage N/PE (TOV HT) Without disconnection or with safety disconnection | UT | 1200 V/300A/200 ms withstand |
| Residual Current Leakage current to Ground | Ipe | None |
| Follow current | If | None |
| Nominal discharge current 15 x 8/20 μ s impulses | In | 5 kA |
| Nominal discharge current N/PE 15 x 8/20 μ s impulses | In N/PE | 20 kA |
| Max. discharge current max. withstand @ 8/20 μ s by pole | Imax | 15 kA |
| Withstand on Combination waveform IEC 61643-11 Class III test: 1.2/50 μ s - 8/20 μ s | Uoc | 10 kV |
| Protection level L/N @ In (8/20 μ s) | Up L/N | 1 kV |
| Protection level N/PE @ In (8/20 μ s) | Up N/PE | 1.5 kV |
| Admissible short-circuit current | Iscsr | 100 000 A |
| Mechanical Characteristics | | |
| Technology | | MOV+GDT |
| SPD configuration | | 3-phase+Neutral |
| Connection to Network | | By screw terminals: 2.5-25mm ² (35mm ² rigid) |
| Format | | Plug-in modular box |
| Mounting | | Symmetrical rail 35 mm (EN 60715) |
| Housing material | | Thermoplastic UL94 V-0 |
| Operating temperature | Tu | -40/+85°C |
| Protection rating | | IP20 |
| Failsafe mode | | Disconnection from AC network |
| Disconnection indicator | | 1 mechanical indicator by pole - Red/Green |
| Spare module(s) | | MDACF15-275 + MDAC50G-275 |
| Remote signaling of disconnection | | output on changeover contact |
| Wiring for remote signaling | | 1.5 mm ² max. |
| Dimensions | | See diagram - 4TE (EN43880) |
| Disconnectors | | |
| Thermal disconnector | | Internal |
| Installation ground fault breaker | | Type 'S' or delayed |
| Back-up protection device | | internal (equivalent AC rating : 25 A, gG Type) |
| Standards | | |
| Standards compliance | | IEC 61643-11 / EN 61643-11 |
| Part number | | |
| 821310244 | | |

