



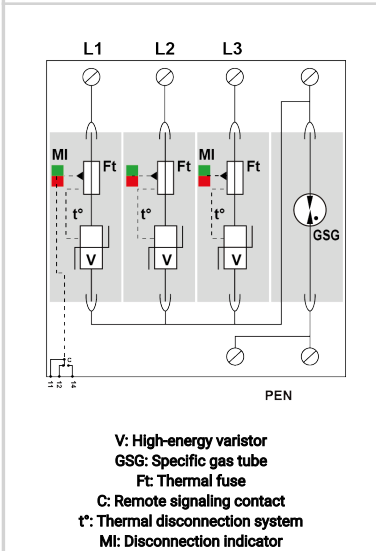
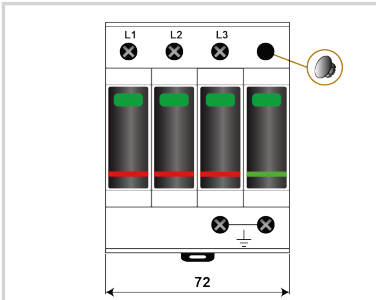
# CITEL

## Type 2 AC surge protector - 3-phase

### DAC50S-31-760-2600DC



- › Type 2 AC surge protector
- › In : 20 kA
- › Imax : 50 kA
- › Pluggable module for each phase
- › Remote signaling
- › EN 61643-11, IEC 61643-11 compliance



Electrical Characteristics		
SPD type	IEC	2
Network		400/690 Vac 3-phase
AC system		TNC-IT
Max. AC operating voltage	Uc	800 Vac
Temporary Over Voltage (TOV) Characteristics - 5 sec. Without disconnection	UT	2200 Vac withstand
Residual Current	Ipe	None
Leakage current to Ground		
Follow current	If	None
Nominal discharge current <i>15 x 8/20 μs impulses</i>	In	20 kA
Max. discharge current <i>max. withstand @ 8/20 μs by pole</i>	Imax	50 kA
Total Maximum discharge current <i>max. total withstand @ 8/20 μs</i>	Imax Total	50 kA
Protection mode(s)		L/PE
Protection level <i>@ In (8/20μs)</i>	Up	≤ 4 kV
Admissible short-circuit current	Iscrr	50 000 A
Mechanical Characteristics		
Technology		MOV+GDT
SPD configuration		3+1-Y diagram
Connection to Network		By screw terminals: 2.5-25mm <sup>2</sup>
Format		Plug-in modular box
Mounting		Symmetrical rail 35 mm (EN 60715)
Housing material		Thermoplastic UL94 V-0
Operating temperature	Tu	-40/+85°C
Protection rating		IP20
Failsafe mode		Disconnection from AC network
Disconnection indicator		1 mechanical indicator by pole - Red/Green
Spare module(s)		MDAC50-320+MDAC50G-320
Remote signaling of disconnection		output on changeover contact
Wiring for remote signaling		1.5 mm <sup>2</sup> max.
Max. Voltage/Current for remote signaling		250 V / 0.5 A (AC) / 30 V / 3 A (DC)
Dimensions		See diagram - 4TE (EN43880)
Disconnectors		
Thermal disconnector		Internal
Installation ground fault breaker		Type 'S' or delayed
Back-up protection device		50 A min. - 125 A max. - Fuses Type gG
Standards		
Standards compliance		IEC 61643-11 / EN 61643-11 / UL1449 ed.5
Part number		
<b>821115544</b>		

