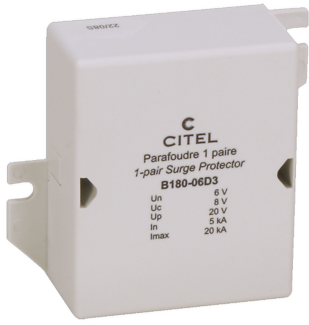




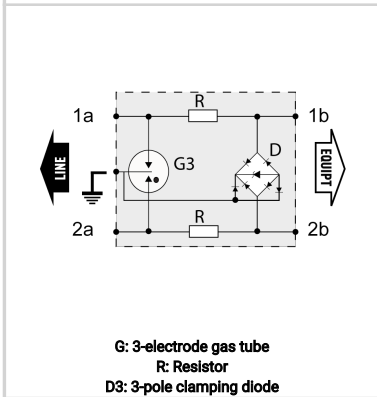
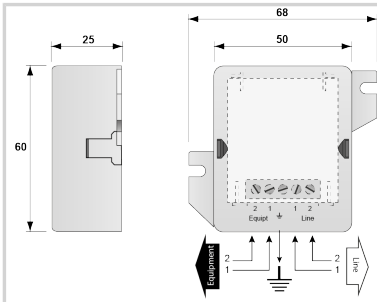
CITEL

1-pair Data surge protector unit

B180-06D3



- Compact 1-pair surge protection unit
- 6 V
- Removable protection circuit
- Wall mounting and screw connection
- UL497 A&B



Electrical Characteristics	
Network	RS422, RS485
Nominal line voltage	Un 6 Vdc
Max. DC operating voltage	Uc 8 Vdc
Max. frequency	f max. 20 MHz
Insertion loss	< 1 dB
Max. discharge current max. withstand @ 8/20 μs by pole	Imax 20 kA
Nominal Discharge Current C2 (1.2/50μs / 8/20μs), 10 applications, X-X (Line/Line)	In 5 kA
Protection Level C3 (10/1000μs), 300 applications@10 A, Y-Y (Line/Line)	Up 20 V
Impulse current 2 x 10/350μs Test - D1 Category	limp 2.5 kA
Max. Load current	IL 300 mA
Line resistance	< 4.7 Ohm
Mechanical Characteristics	
Technology	GDT + R + Diode
SPD configuration	1 pair
Connection to Network	By screw terminal: cross section 0.4-1.5mm ²
Format	Wall mounting box
Mounting	Wall mounting by screws (not supplied)
Housing material	Thermoplastic UL94 V-0
Operating temperature	Tu -40/+85°C
Protection rating	IP20
Failsafe mode	Short-circuit - transmission cut-off - fault mode 2
Spare module(s)	S180-06D3
Dimensions	See diagram
Standards	
Standards compliance	IEC 61643-21 / EN 61643-21 / UL497B
Certification	UL Listed
Environmental standards	EU RoHS
Part number	
510102	

