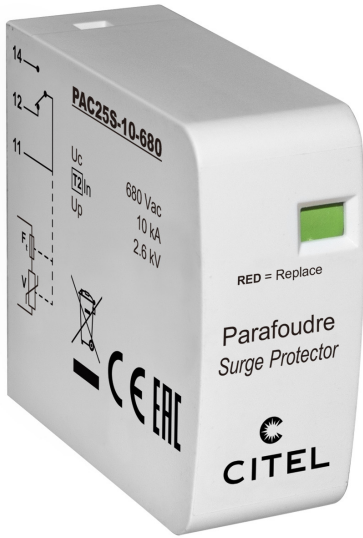




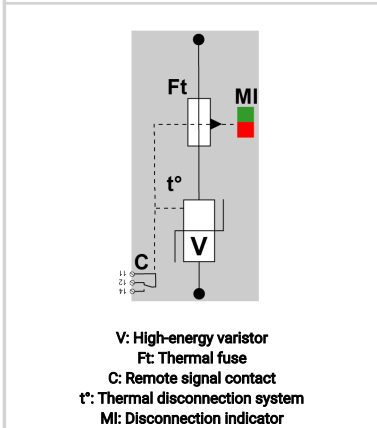
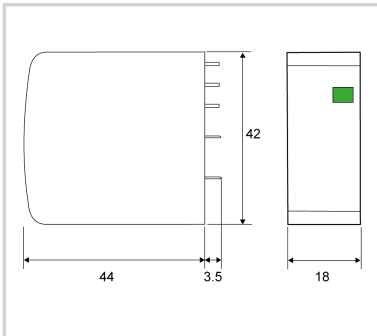
CITEL

Type 2 AC Surge Protector for PCB mounting

PAC25S-10-680



- Type 2 AC surge protector
- PCB mounting
- I_{max}: 25 kA
- Remote signaling
- EN 50539-11 and IEC 61643-31 compliance*



| Electrical Characteristics | | |
|---|------------------|---|
| SPD type | IEC | 2 |
| Max. AC operating voltage | U _c | 680 Vac |
| Nominal discharge current <i>15 x 8/20 μs impulses</i> | I _n | 10 kA |
| Max. discharge current <i>max. withstand @ 8/20 μs by pole</i> | I _{max} | 25 kA |
| Protection level <i>@ I_n (8/20 μs)</i> | U _p | 2.6 kV |
| Admissible short-circuit current | I _{sc} | 25 000 A |
| Mechanical Characteristics | | |
| Connection to Network | | Through soldering pins |
| Mounting | | On Printed Circuit Board |
| Housing material | | Thermoplastic UL94 V-0 |
| Operating temperature | T _u | -40/+85°C |
| Protection rating | | IP20 |
| Disconnection indicator | | 1 mechanical indicator |
| Remote signaling of disconnection | | Output on changeover contact |
| Dimensions | | 18 mm |
| Disconnectors | | |
| Thermal disconnector | | Internal |
| Standards | | |
| Standards compliance | | EN 61643-11 / IEC 61643-11 *The standard cover devices. PPV /PAC series are components. Compliant when combined is an assembly. |
| Part number | | |
| 8711204 | | |

